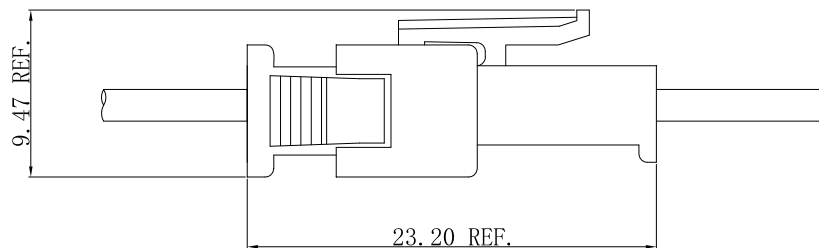


## Specifications

- Voltage rating: 250V AC, DC
- Current Rating: 3A, AC, DC
- Withstand voltage: 1500V AC/minute
- Contact resistance: 20mΩ max
- Insulation resistance: 500MΩ min
- Temperature range: -40°C ~ +105°C
- \*Suitable JVT6503T series Terminal  
JVT6504H series Housing
- Compliant with RoHS and REACH  
Contact JVT for details

## Assembly layout



**JVT6504H**

2.5mm Pitch housing

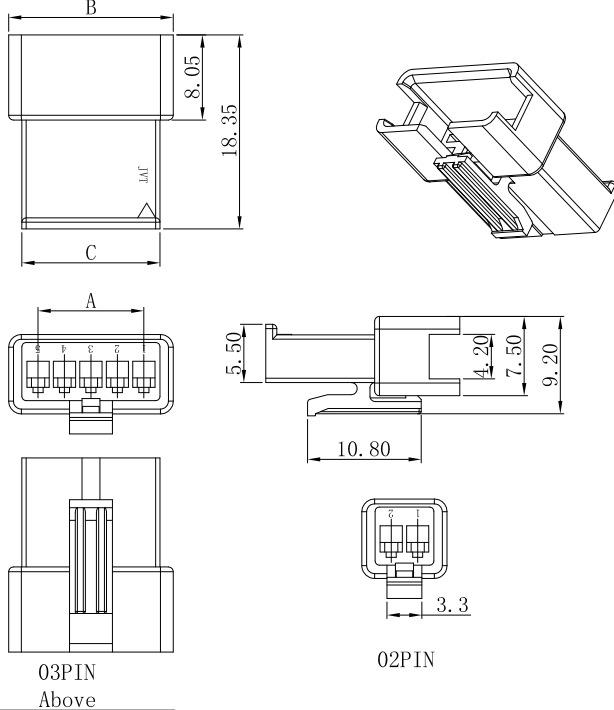
HOUSING

Part No. : JVT6504HNO-XXXX-A

Material: PA66 UL94V-0

Mates With Part(s): JVT6504 Terminal

JVT6504HNO-XXXX-A  
Logo Series NO. Housing BK-Black WH-White Pin NO. PA66 UL94V-0



PART NO.	Dimensions		
	A	B	C
02	2.5	8.05	5.55
03	5.0	10.55	8.05
04	7.5	13.05	10.55
05	10.0	15.55	13.05
06	12.5	18.05	15.55
07	15.0	20.55	18.05
08	17.5	23.05	20.55
09	20.0	25.55	23.05
10	22.5	28.05	25.55
11	25.0	30.55	28.05
12	27.5	33.05	30.55
13	30.0	35.55	33.05
14	32.5	38.05	35.55
15	35.0	40.55	38.05
16	37.5	43.05	40.55

**JVT6503H**

2.5mm Pitch Crimp Terminal

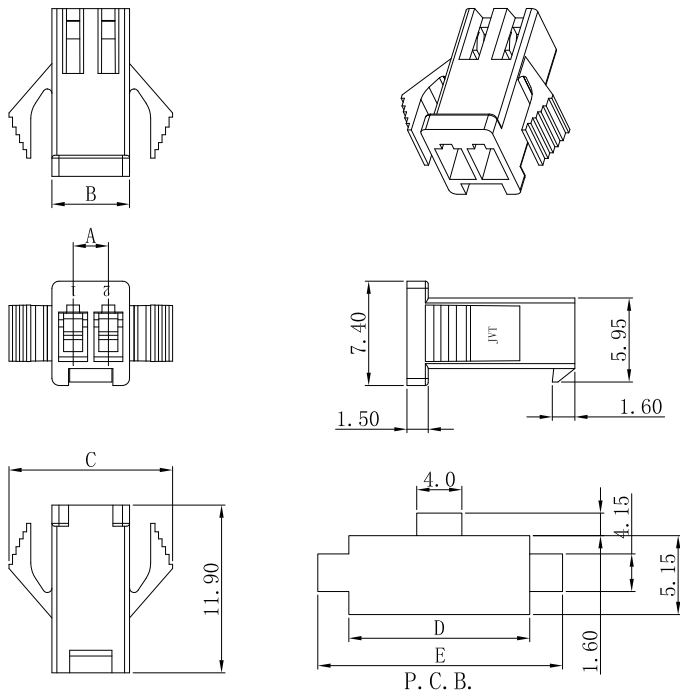
HOUSING

Part No. : JVT6503HNO-XXXX-A

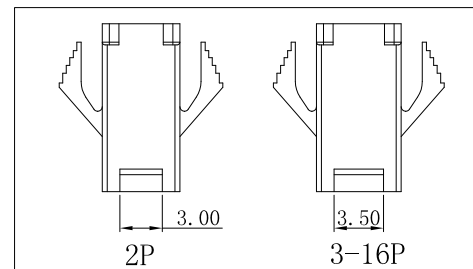
Material: PA66 UL94V-0

Mates With Part(s): JVT6503 Terminal

JVT6503HNO-XXXX-A  
Logo Series NO. Housing BK-Black WH-White Pin NO. PA66 UL94V-0

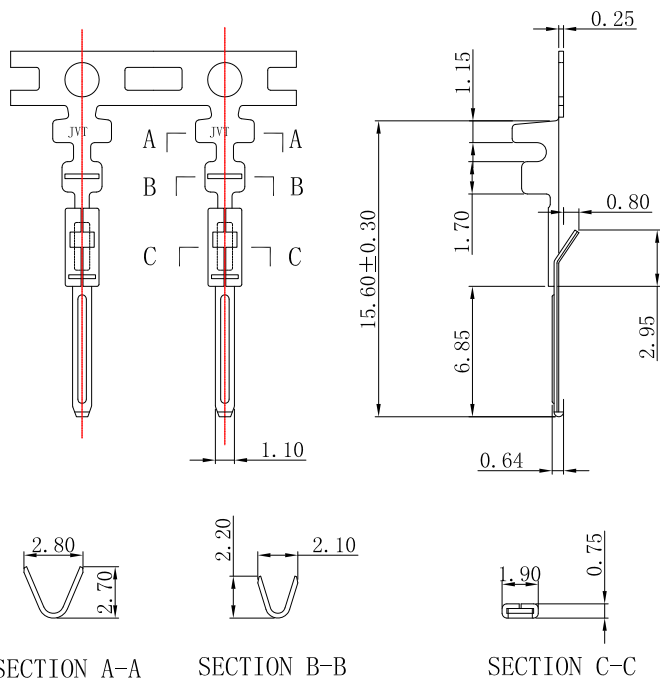


PART NO.	Dimensions				
	A	B	C	D	E
02	2.5	5.50	11.6	5.7	9.6
03	5.0	8.00	14.1	8.2	12.1
04	7.5	10.5	16.6	10.7	14.6
05	10.0	13.0	19.1	13.2	17.1
06	12.5	15.5	21.6	15.7	19.6
07	15.0	18.0	24.1	18.2	22.1
08	17.5	20.5	26.6	20.7	24.6
09	20.0	23.0	29.1	23.2	27.1
10	22.5	25.5	31.6	25.7	29.6
11	25.0	28.0	34.1	28.2	32.1
12	27.5	30.5	36.6	30.7	34.6
13	30.0	33.0	39.1	33.2	37.1
14	32.5	35.5	41.6	35.7	39.6
15	35.0	38.0	44.1	38.2	42.1
16	37.5	40.5	46.6	40.7	44.6



**JVT6504T**

2.5mm Pitch Crimp Terminal

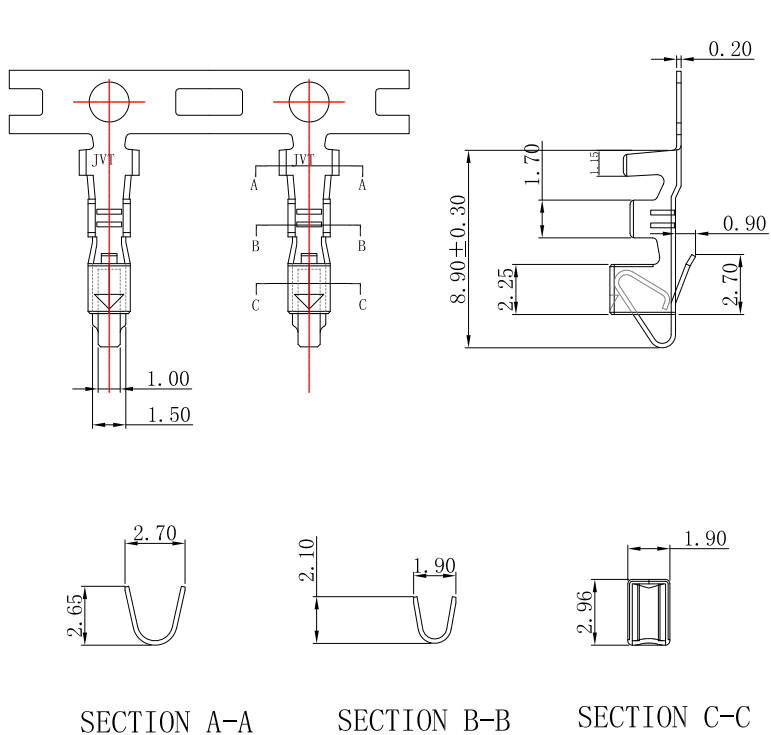


JVT6504TP-SNS-A  
 Logo  
 Series NO.  
 T-Terminal  
 P-Phosphor bronze  
 S-Stamping before Plating  
 E-Plating before stamping  
 Tin Plated

JVT6504TP-SNS-A	Phos Bronze	Tin Plated	AWG#22~28	1.80mm(Max)	JVT6504 HOUSING
PART NO	Material	Finish(Pin)	Wire Range	Insulation O.D.	Mates With Part(s)

**JVT6503T**

2.5mm Pitch Crimp Terminal



JVT6503TP-SNS-A  
 Logo  
 Series NO.  
 T-Terminal  
 P-Phosphor bronze  
 S-Stamping before Plating  
 E-Plating before stamping  
 Tin Plated

JVT6503TP-SNS-A	Phos Bronze	Tin Plated	AWG#22~28	1.80mm(Max)	JVT6503 HOUSING
PART NO	Material	Finish(Pin)	Wire Range	Insulation O.D.	Mates With Part(s)