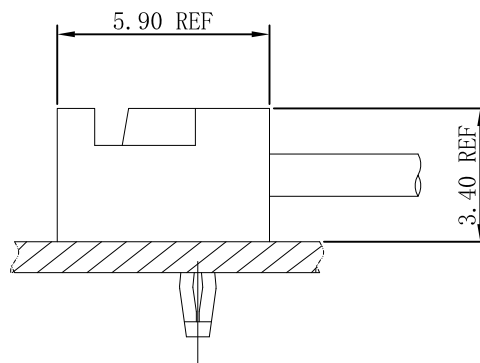
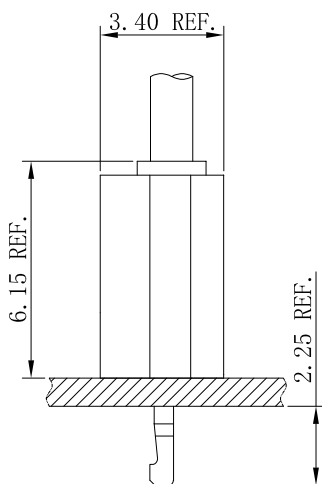


Specifications

- Voltage rating: 250V AC, DC
- Current Rating: 2A, AC, DC
- Withstand voltage: 800V AC/minute
- Contact resistance: 20mΩ max
- Insulation resistance: 1000MΩ min
- Temperature range: -40°C ~ +105°C
- Compliant with RoHS and REACH
- Contact JVT for details

Assembly layout



JVT1130 SERIES

2.0mm pitch board in connector

JVT1130H

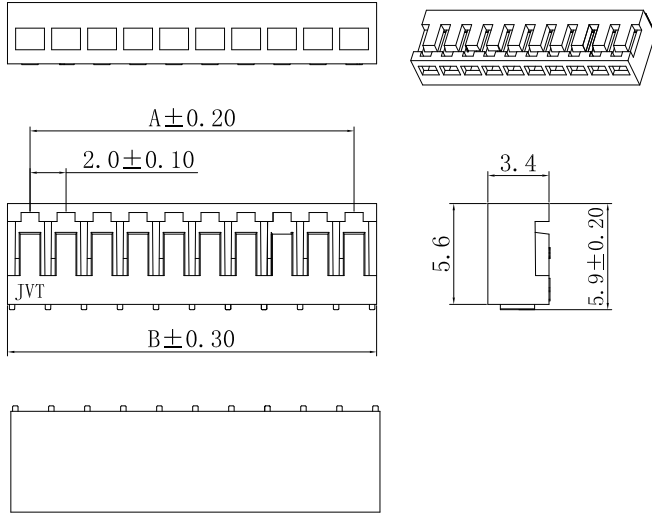
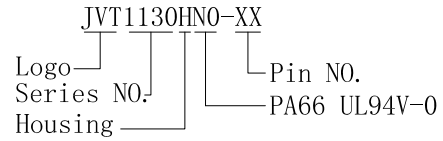
2.0mm Pitch housing

HOUSING

Part No. : JVT1130HNO-XX

Material: Nylon 66 UL94V-0

Mates With Part(s): JVT1130 Terminal



Poles	Dimension (mm)	
	A	B
02	2.0	4.60
03	4.0	6.60
04	6.0	8.60
05	8.0	10.60
06	10.0	12.60
07	12.0	14.60
08	14.0	16.60
09	16.0	18.60
10	18.0	20.60
11	20.0	22.60
12	22.0	24.60
13	24.0	26.60
14	26.0	28.60
15	28.0	30.60
16	30.0	32.60

Unit:mm

JVT1130HR

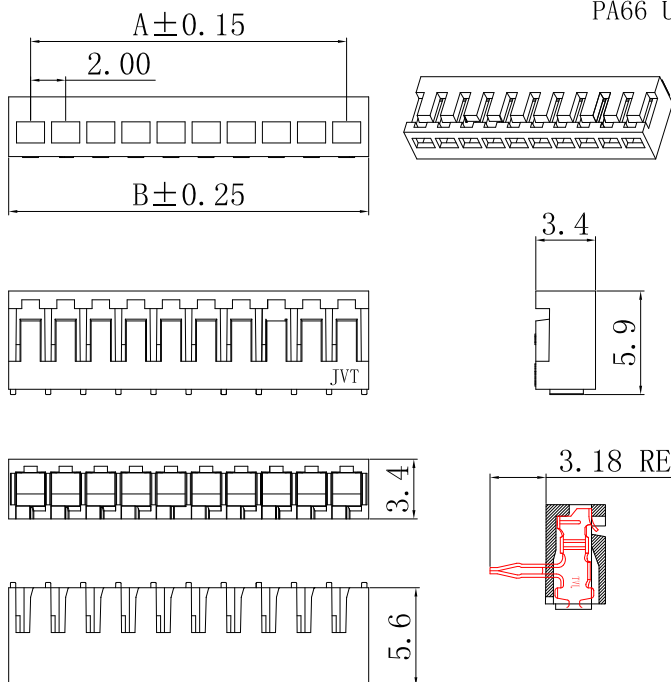
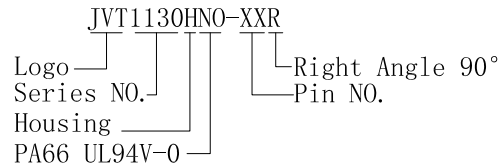
2.0mm Pitch housing

HOUSING

Part No. : JVT1130HNO-XXR

Material: Nylon 66 UL94V-0

Mates With Part(s): JVT1130 Terminal



Poles	Dimension (mm)	
	A	B
02	2.0	4.50
03	4.0	6.50
04	6.0	8.50
05	8.0	10.50
06	10.0	12.50
07	12.0	14.50
08	14.0	16.50
09	16.0	18.50
10	18.0	20.50
11	20.0	22.50
12	22.0	24.50
13	24.0	26.50
14	26.0	28.50
15	28.0	30.50
16	30.0	32.50

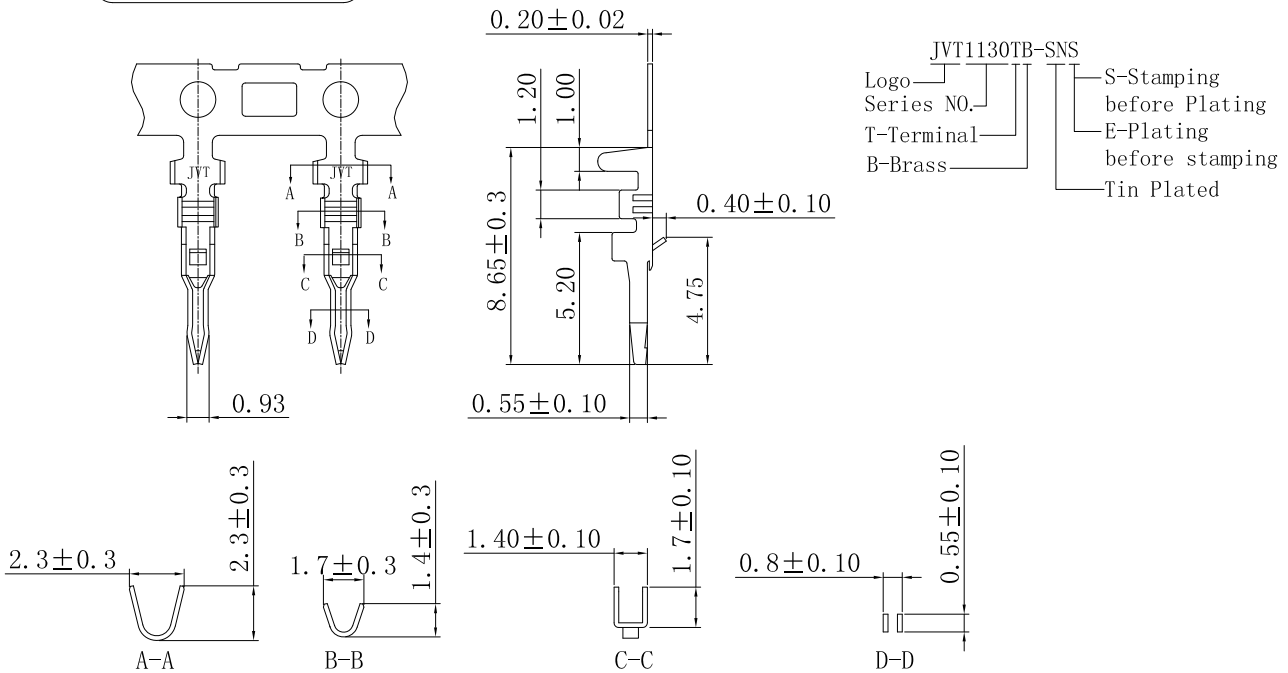
Unit:mm

JVT1130 SERIES

2.0mm pitch board in connector

JVT1130T

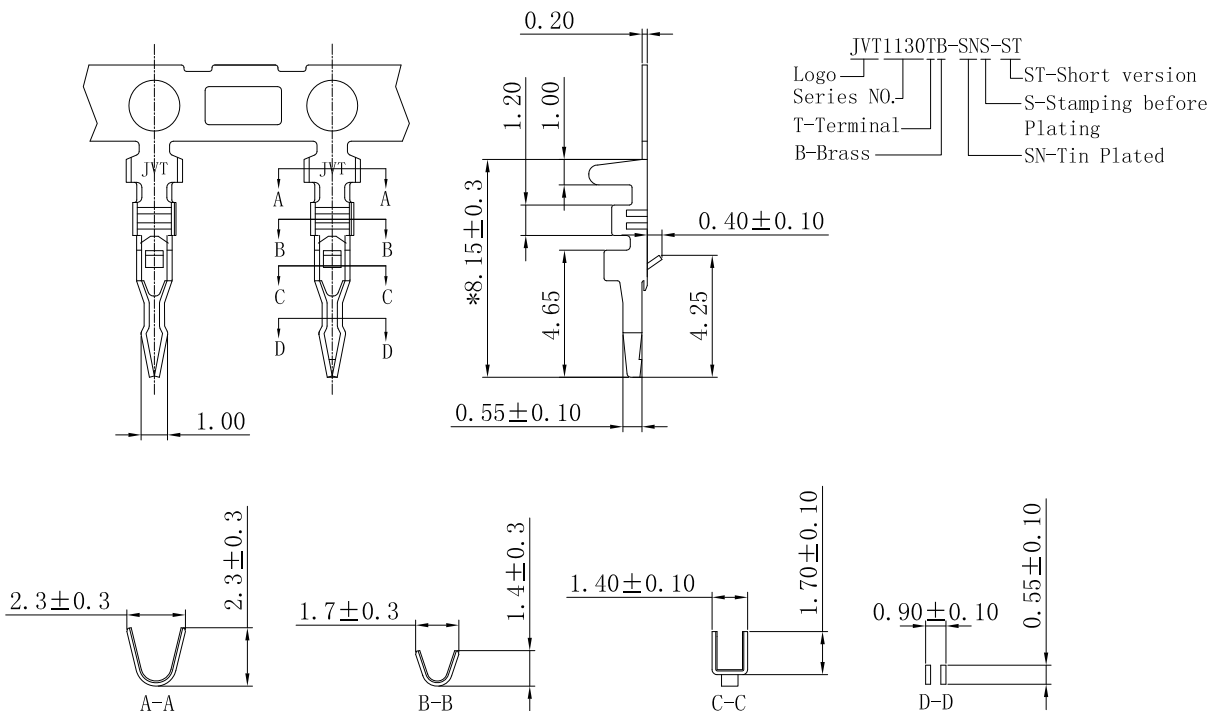
1.5mm Pitch Crimp Terminal



JVT1130TB-SNS	Brass	Tin Plated	AWG#24~30	1.3mm(Max)	JVT1130 Housing
PART NO	Material	Finish(Pin)	Wire Range	Insulation O.D.	Mates With Part(s)

JVT1130T

2.0mm Pitch Crimp Terminal



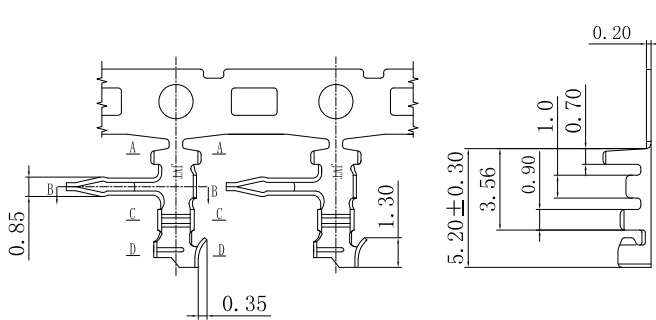
JVT1130TB-SNS-ST	Brass	Tin Plated	AWG#24~30	1.3mm(Max)	JVT1130 Housing
PART NO	Material	Finish(Pin)	Wire Range	Insulation O.D.	Mates With Part(s)

JVT1130 SERIES

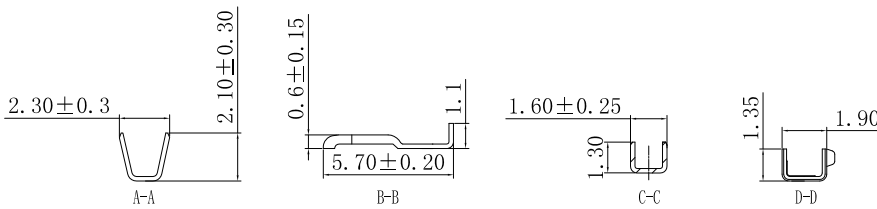
2.0mm pitch board in connector

JVT1130TR

2.00mm Pitch Crimp Terminal



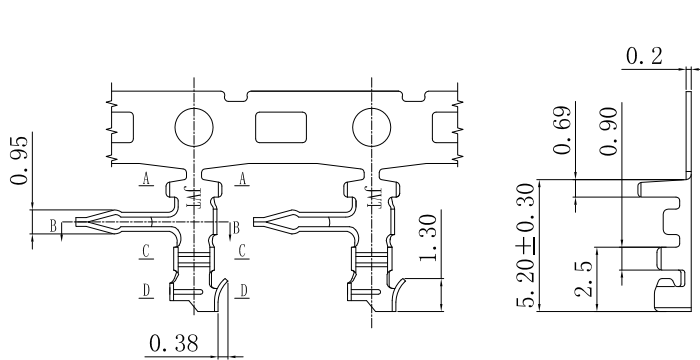
JVT1130TX-SNSR-C
 Logo
 Series NO.
 T-Terminal
 P-Phosphor bronze
 B-Brass
 C-C Mode
 Right Angle 90°
 S-Stamping before Plating
 SN-Tin Plated



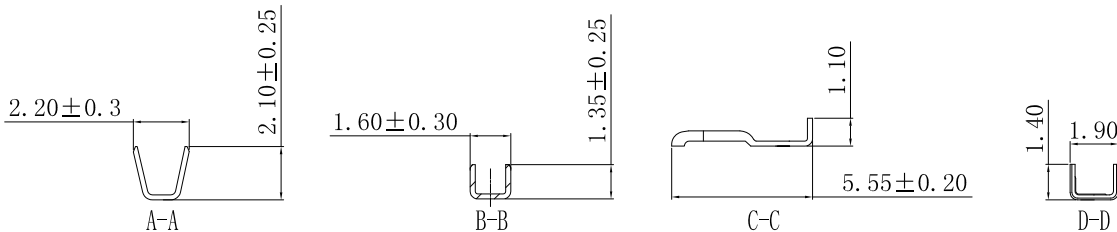
JVT1130TP-SNSR-C	Phos Bronze	Tin Plated	AWG#24~30	1.4mm(Max)	JVT1130 Housing
JVT1130TB-SNSR-C	Brass				
PART NO	Material	Finish(Pin)	Wire Range	Insulation O.D.	Mates With Part(s)

JVT1130TR

2.0mm Pitch Crimp Terminal



JVT1130TP-SNSR-L
 Logo
 Series NO.
 T-Terminal
 P-Phosphor bronze
 L-Short
 Right Angle 90°
 S-Stamping before Plating
 SN-Tin Plated



JVT1130TP-SNSR-L	Phos Bronze	Tin Plated	AWG#24~30	1.3mm(Max)	JVT1130 Housing
PART NO	Material	Finish(Pin)	Wire Range	Insulation O.D.	Mates With Part(s)