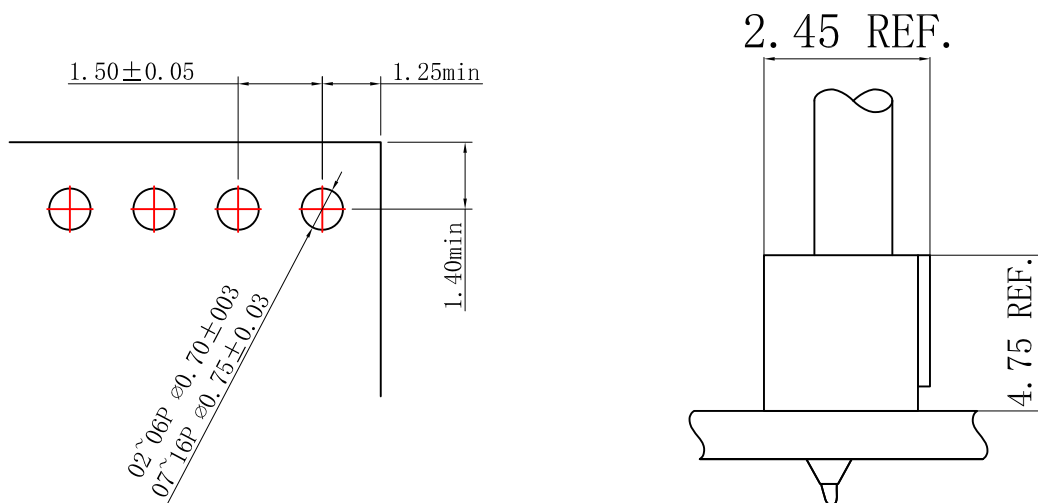


Specifications

- Voltage rating: 50V AC, DC
- Current Rating: 0.7A, AC, DC
- Withstand voltage: 500V AC/minute
- Contact resistance: 30mΩ max
- Insulation resistance: 500MΩ min
- Temperature range: -40°C ~ +105°C
- Compliant with RoHS and REACH
- Contact JVT for details

Assembly layout



JVT1501 SERIES

1.5mm pitch wire to board connector

JVT1501H

1.5mm Pitch housing

HOUSING

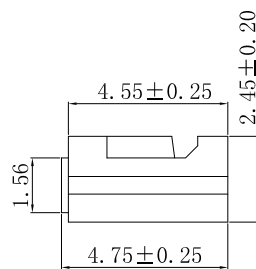
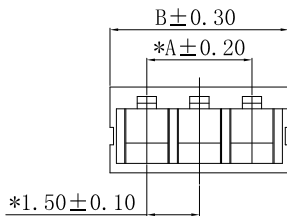
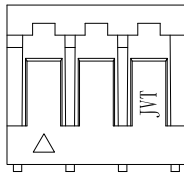
Part No. : JVT1501HNO-XX

Material: Nylon 66 UL94V-0

Mates With Part(s): JVT1501 Terminal

JVT1501HNO-XX

Logo
Series NO.
Housing
PA66 UL94V-0
Pin NO.



Poles	Dimensions (mm)	
	A	B
02	1.50	3.60
03	3.00	5.10
04	4.50	6.60
05	6.00	8.10
06	7.50	9.60
07	9.00	11.10
08	10.50	12.60
09	12.00	14.10
10	13.50	15.60
11	15.00	17.10
12	16.50	18.60
13	18.00	20.10
14	19.50	21.60
15	21.00	23.10
16	22.50	24.60

Unit:mm

JVT1501HR

1.5mm Pitch housing

HOUSING

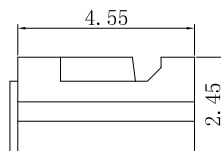
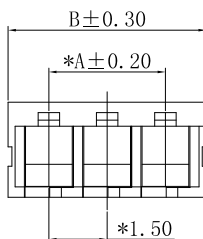
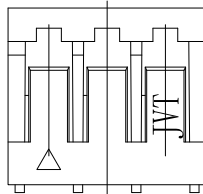
Part No. : JVT1501HNO-XXR

Material: Nylon 66 UL94V-0

Mates With Part(s): JVT1501 Terminal

JVT1501HNO-XXR

Logo
Series NO.
Housing
PA66 UL94V-0
Right Angle 90°
Pin NO.



Poles	Dimensions (mm)	
	A	B
02	1.50	3.60
03	3.00	5.10
04	4.50	6.60
05	6.00	8.10
06	7.50	9.60
07	9.00	11.10
08	10.50	12.60
09	12.00	14.10
10	13.50	15.60
11	15.00	17.10
12	16.50	18.60
13	18.00	20.10
14	19.50	21.60
15	21.00	23.10
16	22.50	24.60

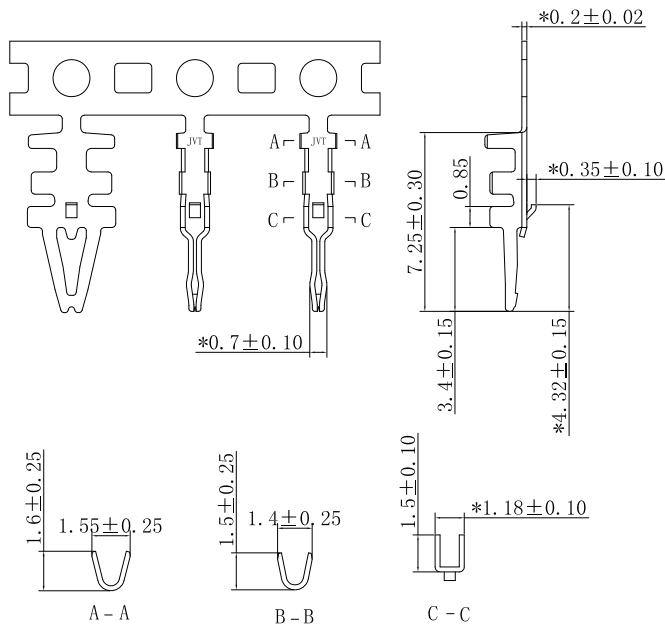
Unit:mm

JVT1501 SERIES

1.5mm pitch wire to board connector

JVT1501T

1.5mm Pitch Crimp Terminal

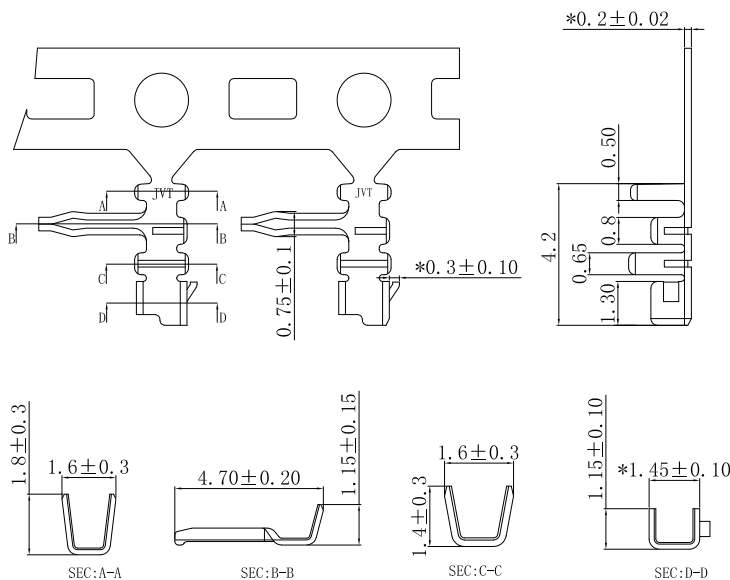


JVT1501TB-SNS
 Logo
 Series NO.
 T-Terminal
 B-Brass
 S-Stamping before Plating
 E-Plating
 before stamping
 Tin Plated

JVT1501TB-SNS	Brass	Tin Plated	AWG#26~30	1.10mm(Max)	JVT1501 HOUSING
PART NO	Material	Finish(Pin)	Wire Range	Insulation O.D.	Mates With Part(s)

JVT1501T

1.5mm Pitch Crimp Terminal



JVT1501TB-SNSRLG
 Logo
 Series NO.
 T-Terminal
 B-Brass
 P-Phosphor bronze
 Extended version
 R-Right Angle 90°
 Stamping before Plating
 SN-Tin Plated

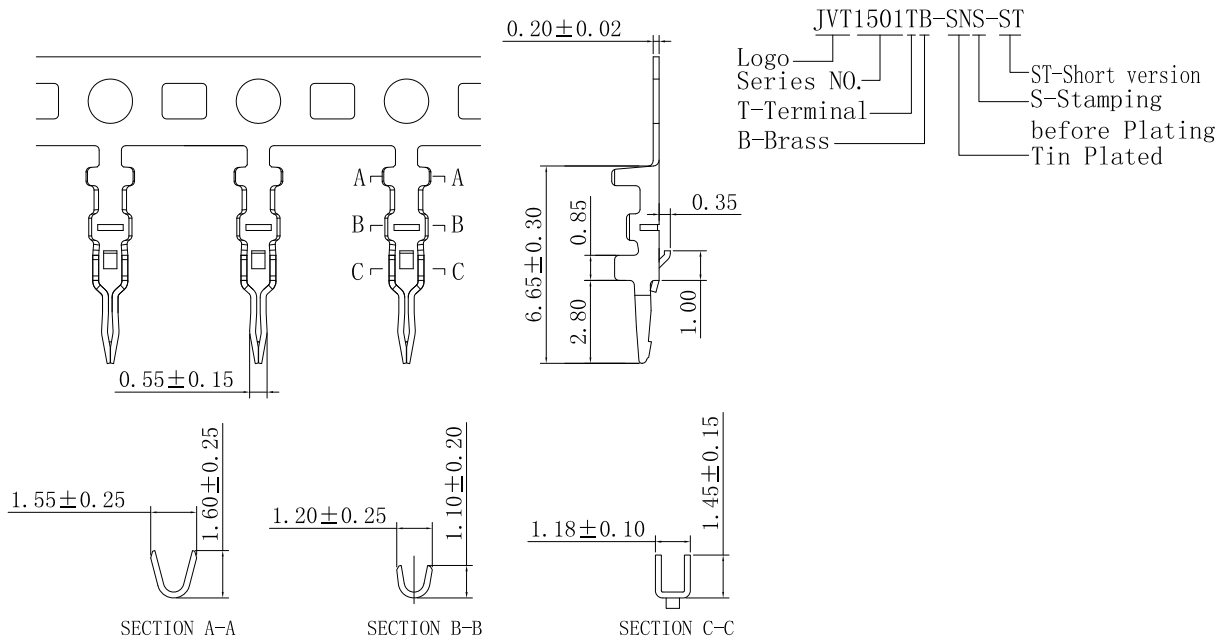
JVT1501TB-SNSRLG	Brass	Tin Plated	AWG#26~30	1.10mm(Max)	JVT1501 HOUSING
JVT1501TP-SNSRLG	Phos Bronze				
PART NO	Material	Finish(Pin)	Wire Range	Insulation O.D.	Mates With Part(s)

JVT1501 SERIES

1.5mm pitch wire to board connector

JVT1501T

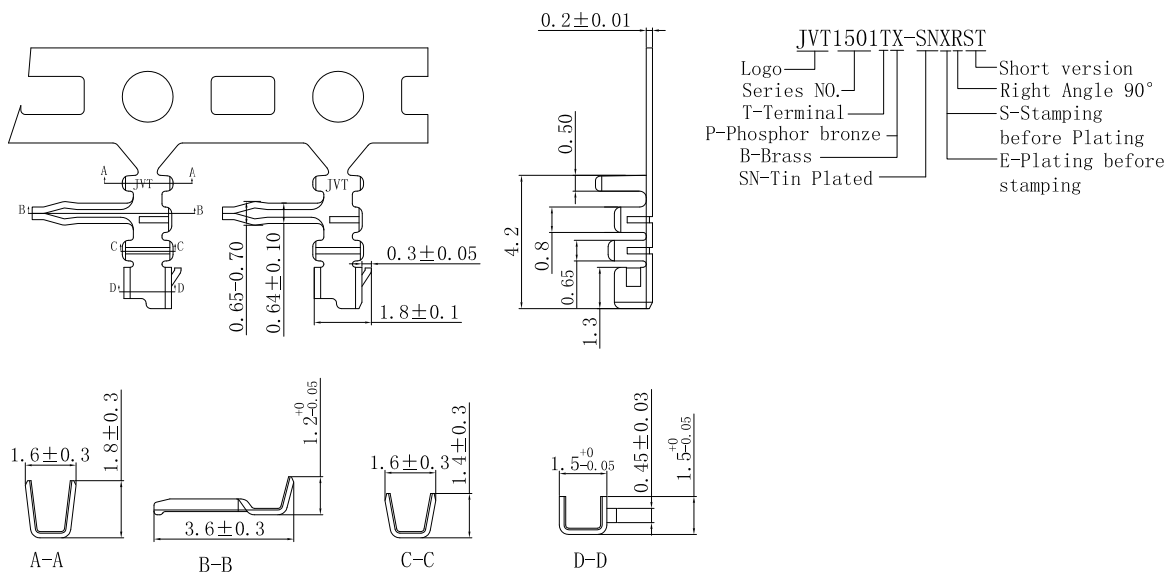
1.5mm Pitch Crimp Terminal



JVT1501TB-SNS-ST	Brass	Tin Plated	AWG#26~30	0.85mm(Max)	JVT1501 HOUSING
PART NO	Material	Finish(Pin)	Wire Range	Insulation O.D.	Mates With Part(s)

JVT1501T

1.5mm Pitch Crimp Terminal



JVT1501TB-SNXRST	Brass	Tin Plated	AWG#28~30	0.85mm(Max)	JVT1501 HOUSING
JVT1501TP-SNXRST	Phos Bronze				
PART NO	Material	Finish(Pin)	Wire Range	Insulation O.D.	Mates With Part(s)