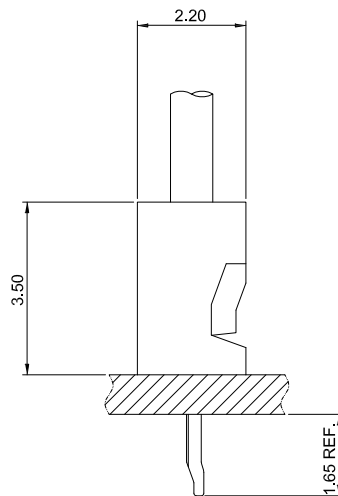


## Specifications

- Voltage rating: 125V AC, DC
- Current Rating: 1A, AC, DC
- Withstand voltage: 500V AC/minute
- Contact resistance: 20mΩ max
- Insulation resistance: 100mΩ min
- Temperature range: -40°C ~ +105°C
- Compliant with RoHS and REACH
- Contact JVT for details

## Assembly layout



**JVT1252 SERIES**

1.25mm pitch board in connector

**JVT1252H**

1.25mm Pitch housing

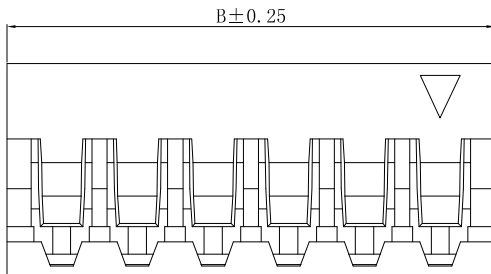
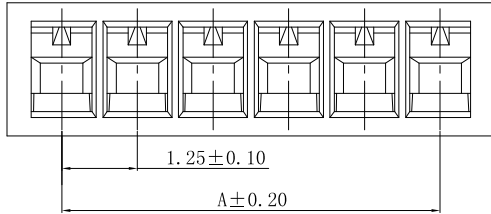
HOUSING

Part No. : JVT1252HNO-XX

Material: Nylon 66 UL94V-0

Mates With Part(s): JVT1252 Terminal

JVT1252HNO-XX  
Logo Series NO. Housing Pin NO. PA66 UL94V-0

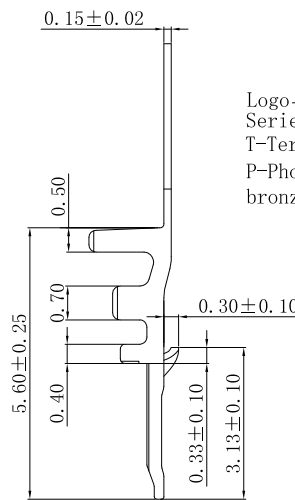
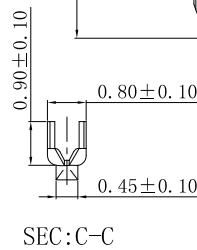
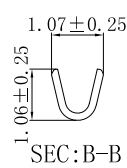
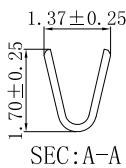
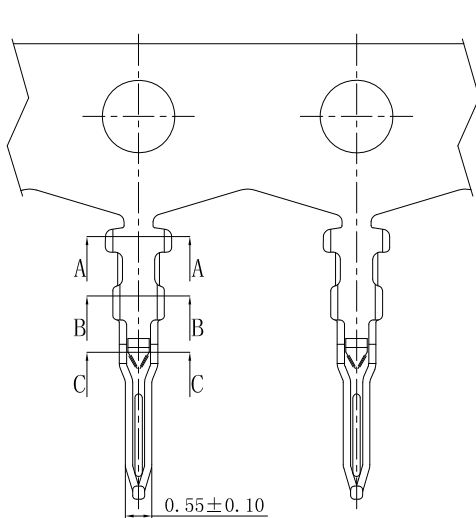


Poles	A	B
2	1.25	3.05
3	2.50	4.30
4	3.75	5.55
5	5.00	6.80
6	6.25	8.05
7	7.50	9.30
8	8.75	10.55
9	10.00	11.80
10	11.25	13.05
11	12.50	14.30
12	13.75	15.55
13	15.00	16.80
14	16.25	18.05
15	17.50	19.30

Unit:mm

**JVT1252T**

1.25mm Pitch Crimp Terminal



JVT1252TP-SNX  
Logo Series NO. T-Terminal P-Phosphor bronze S-Stamping before Plating E-Plating before stamping Tin Plated

JVT1252TP-SNX	Phos Bronze	Tin Plated	AWG#28-32	1.0mm(Max)	JVT1252 HOUSING
PART NO	Material	Finish(Pin)	Wire Range	Insulation O.D.	Mates With Part(s)