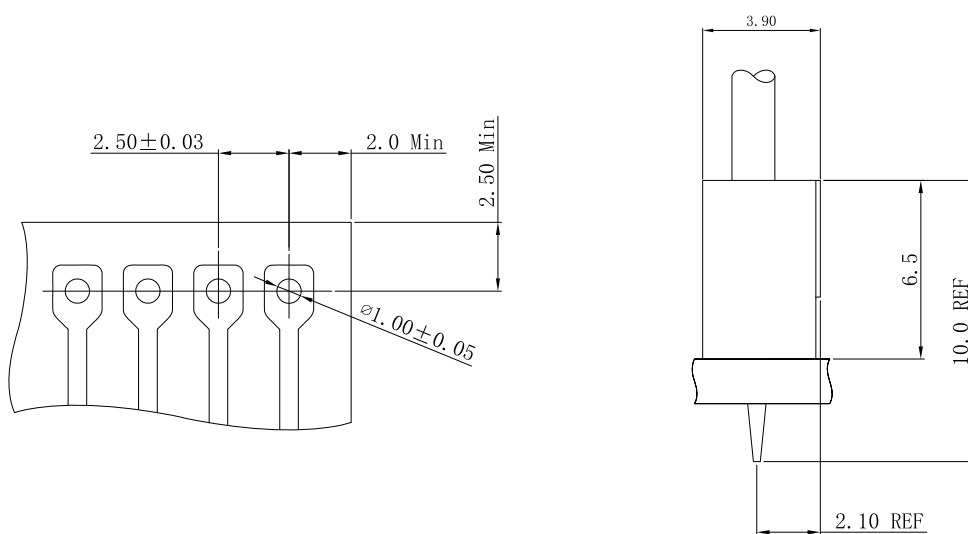


Specifications

- Voltage rating: 250V AC, DC
- Current Rating: 3A, AC, DC
- Withstand voltage: 800V AC/minute
- Contact resistance: 20mΩ max
- Insulation resistance: 1000mΩ min
- Temperature range: -40°C ~ +105°C
- *Suitable JVT1137T-R series Terminal
- Compliant with RoHS and REACH
- Contact JVT for details

Assembly layout



JVT1137H

2.5mm Pitch housing

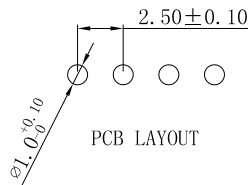
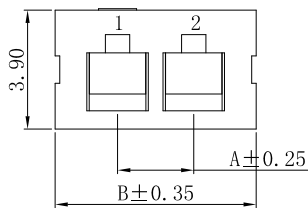
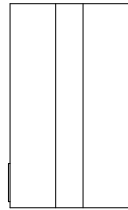
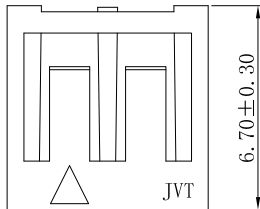
HOUSING

Part No. : JVT1137HNO-XX-A

Material: Nylon 66 UL94V-0

Mates With Part(s): JVT1137 Terminal

JVT1137HNO-XX-A
Logo Series NO. Housing Pin NO. NO-PA66 UL94V-0



Poles	Dimensions mm	
	A	B
02	2.50	6.6
03	5.00	9.1
04	7.50	11.6
05	10.00	14.1
06	12.50	16.6
07	15.00	19.1
08	17.50	21.6
09	20.00	24.1
10	22.50	26.6
11	25.00	29.1
12	27.50	31.6
13	30.00	34.1
14	32.50	36.6
15	35.00	39.1
16	37.50	41.6

JVT1137H

2.5mm Pitch housing

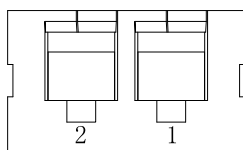
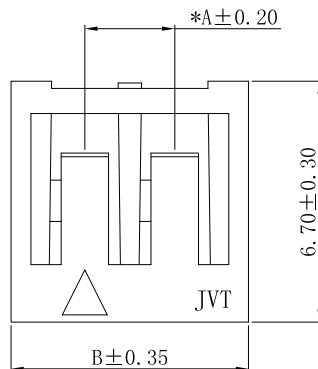
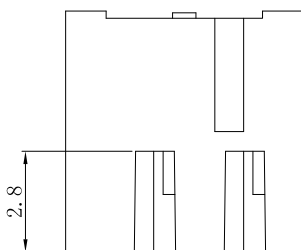
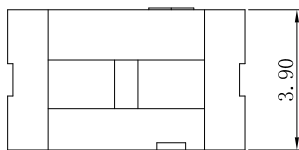
HOUSING

Part No. : JVT1137HNO-XXR-A

Material: Nylon 66 UL94V-0

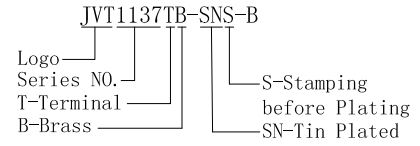
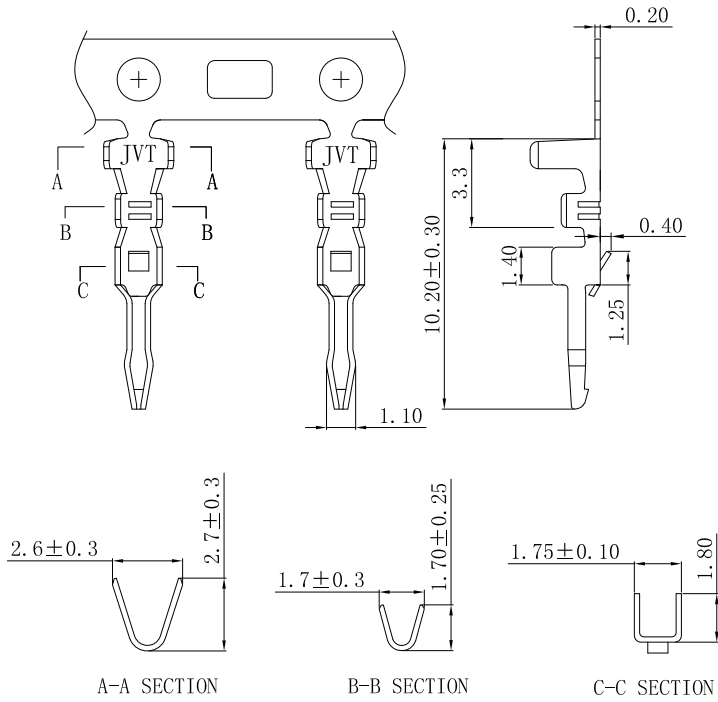
Mates With Part(s): JVT1137 Terminal

JVT1137HNO-XXR-A
Logo Series NO. Housing Pin NO. R-Right Angle 90° NO-PA66 UL94V-0



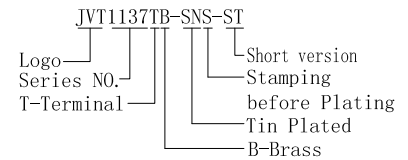
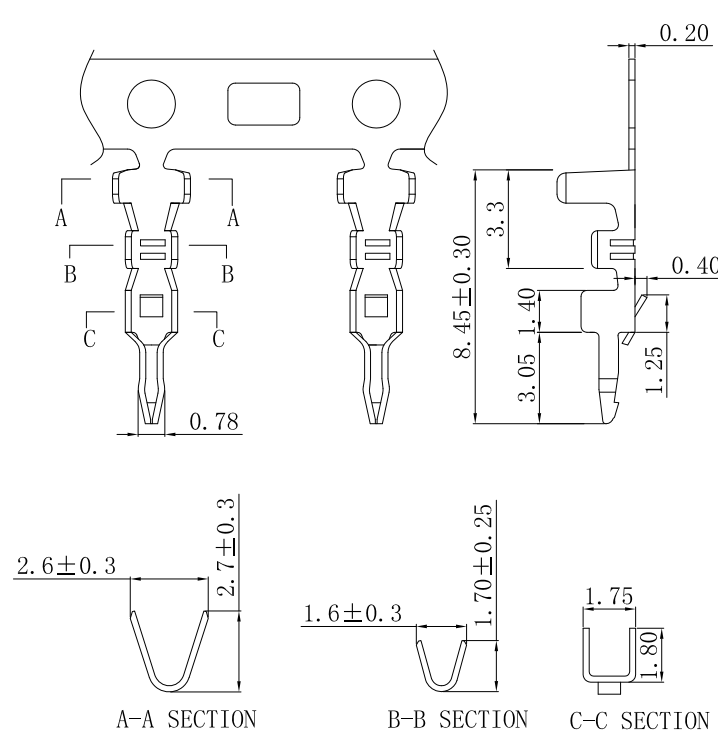
Poles	Dimensions mm	
	A	B
02	2.50	6.6
03	5.00	9.1
04	7.50	11.6
05	10.00	14.1
06	12.50	16.6
07	15.00	19.1
08	17.50	21.6
09	20.00	24.1
10	22.50	26.6
11	25.00	29.1
12	27.50	31.6
13	30.00	34.1
14	32.50	36.6
15	35.00	39.1
16	37.50	41.6

JVT1137T — 2.5mm Pitch Crimp Terminal



JVT1137TB-SNS-B	Brass	Tin Plated	AWG#22~28	1.7mm(Max)	JVT1137 HOUSING
PART NO	Material	Finish(Pin)	Wire Range	Insulation O.D.	Mates With Part(s)

JVT1137T — 2.5mm Pitch Crimp Terminal



JVT1137TB-SNS-ST	Brass	Tin Plated	AWG#22~28	1.7mm(Max)	JVT1137 HOUSING
PART NO	Material	Finish(Pin)	Wire Range	Insulation O.D.	Mates With Part(s)

