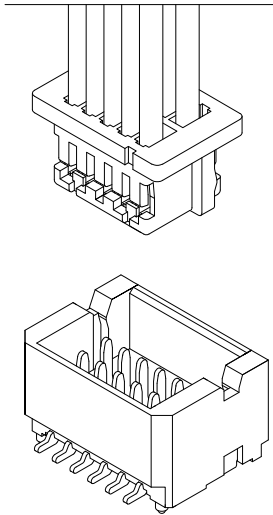
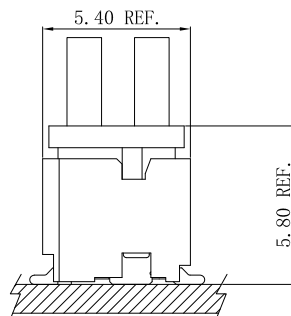


Specifications

- Voltage rating: 50V AC, DC
- Current Rating: 1A, AC, DC
- Withstand voltage: 500V AC/minute
- Contact resistance: 20mΩ max
- Insulation resistance: 100mΩ min
- Temperature range: -40°C ~ +105°C
- Compliant with RoHS and REACH
- Contact JVT for details



Assembly layout



JVT8252 SERIES

1.0mm pitch wire to board connector

JVT8252H

1.0mm Pitch housing

HOUSING

Part No. : JVT8252HNO-2*XX

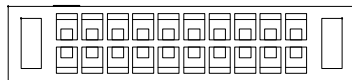
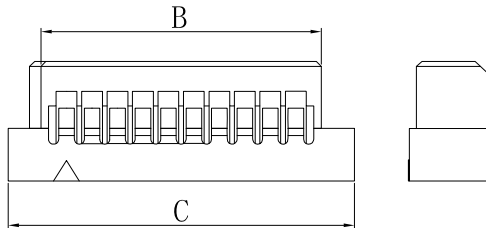
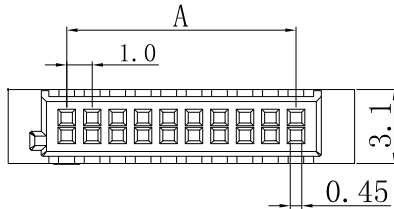
Material: Nylon 66 UL94V-0

Mates With Part(s): JVT8252 Terminal

JVT8252HNO-2*XX

Logo
Series NO.
Housing

Single row
Pin NO.
PA66 UL94V-0

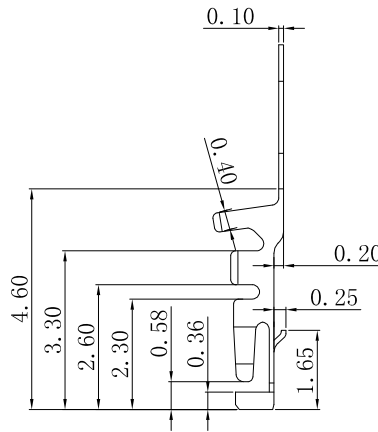
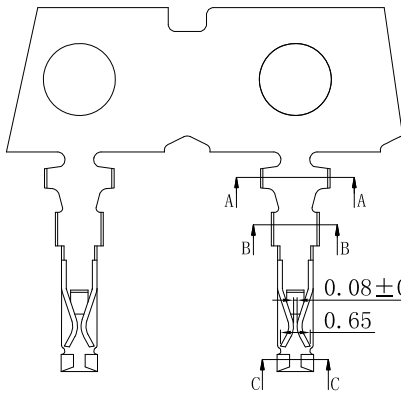


Poles	Dimensions		
	A	B	C
2*08	7.00	9.00	11.60
2*10	9.00	11.00	13.60
2*15	14.00	16.00	18.60
2*20	19.00	21.00	23.60
2*25	24.00	26.00	28.60

Unit:mm

JVT8252T

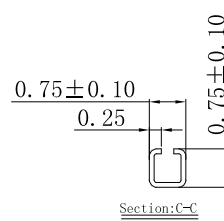
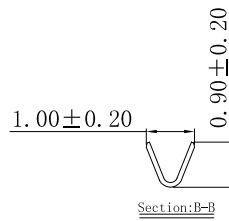
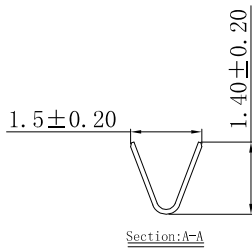
1.0mm Pitch Crimp Terminal



JVT8252TP-GAS

Logo
Series NO.
T-Terminal
P-Phosphor

Stamping before
Plating
All gold plating
bronze



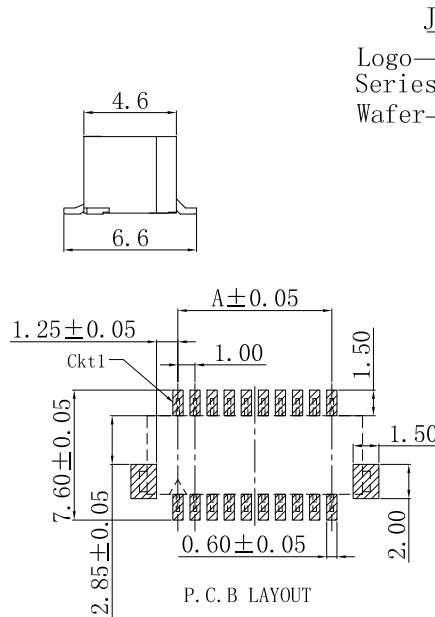
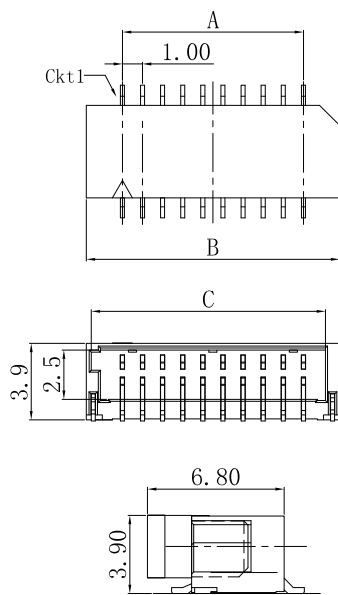
JVT8252TP-GAS	Phos Bronze	Gold plating	AWG#28-32	0.8mm(Max)	JVT8252 HOUSING
PART NO	Material	Finish(Pin)	Wire Range	Insulation O.D.	Mates With Part(s)

JVT8252 SERIES

1.0mm pitch wire to board connector

JVT8252W

1.0mm Pitch Wafer-SMT TYPE



JVT8252W9T-2*XX-S
 Logo Series NO. Wafer S-SMT Pin NO. 9T-PA9T UL94V-0

POLES	A	B	C
06	2	5.6	4.2
08	3	6.6	5.2
10	4	7.6	6.2
12	5	8.6	7.2
14	6	9.6	8.2
16	7	10.6	9.2
18	8	11.6	10.2
20	9	12.6	11.2
22	10	13.6	12.2
24	11	14.6	13.2
26	12	15.6	14.2
28	13	16.6	15.2
30	14	17.6	16.2
32	15	18.6	17.2
34	16	19.6	18.2
36	17	20.6	19.2
38	18	21.6	20.2
40	19	22.6	21.2
42	20	23.6	22.2
44	21	24.6	23.2
46	22	25.6	24.2
48	23	26.6	25.2
50	24	27.6	26.2

Unit:mm

JVT8252W9T-2*XX	PA9T UL94V-0	Copper alloy	Tin Plated	Copper alloy	Tin Plated	JVT8252 Housing
PART NO	Material	Material(Pin)	Finish(Pin)	Material (Solder Tabs)	Finish (Solder Tabs)	Mates With Part(s)