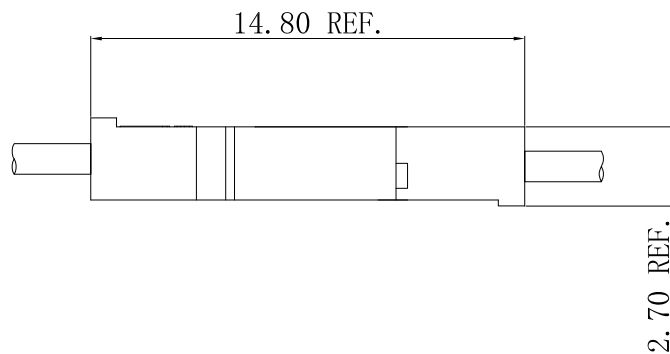


Specifications

- Voltage rating: 100V AC, DC
- Current Rating: 2A, AC, DC
- Withstand voltage: 500V AC/minute
- Contact resistance: 20m Ω max
- Insulation resistance: 1000m Ω min
- Temperature range: -40°C ~ +105°C
- Compliant with RoHS and REACH
- Contact JVT for details

Assembly layout



JVT2003H

2.0mm Pitch housing

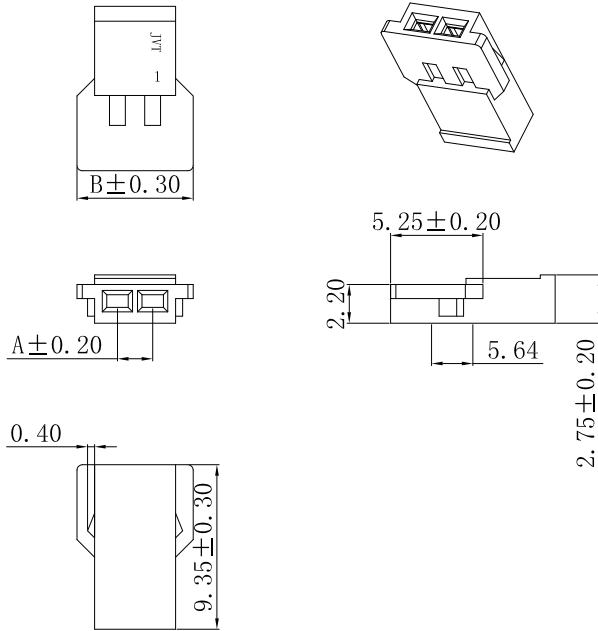
HOUSING

Part No. : JVT2003HXX-XXXX

Material: PA66/PBT UL94V-0

Mates With Part(s): JVT2003 Terminal

JVT2003HXX-XXXX
 Logo Series NO. Housing
 WH-White
 BK-Black
 PIN数
 PT-PBT UL94V-0
 NO-PA66 UL94V-0

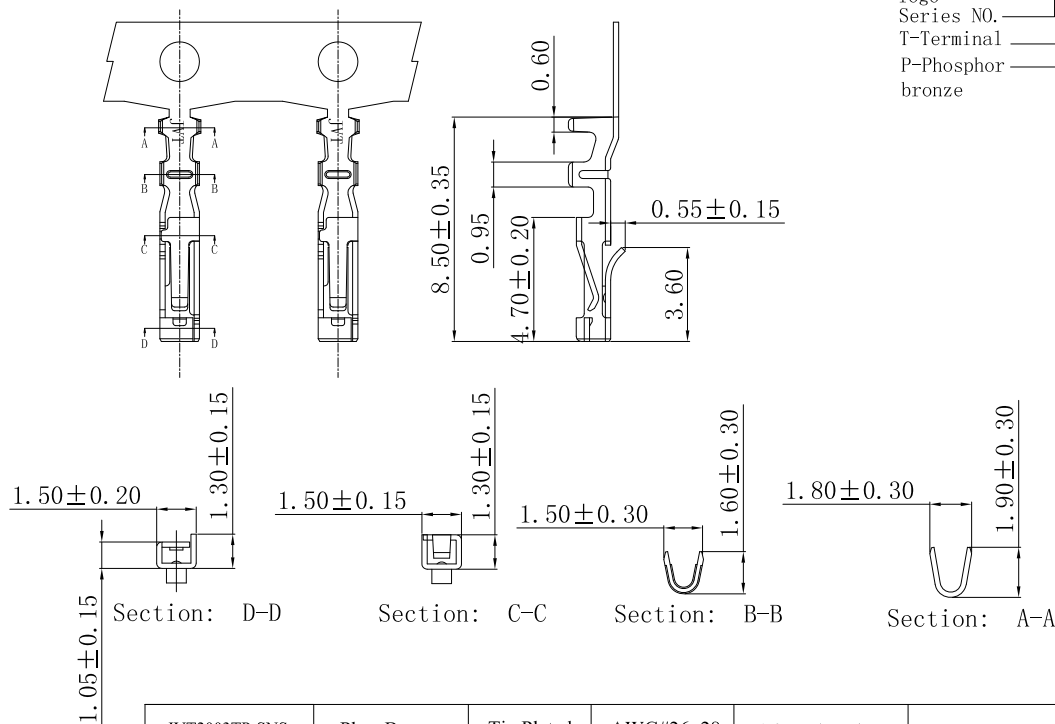


Poles	Dimensions (mm)	
	A	B
2	2.00	6.6
3	4.00	8.6
4	6.00	10.6
5	8.00	12.6
6	10.00	14.6
7	12.00	16.6
8	14.00	18.6
9	16.00	20.6
10	18.00	22.6
11	20.00	24.6
12	22.00	26.6
13	24.00	28.6
14	26.00	30.6
15	28.00	32.6
16	30.00	34.6

JVT2003T

2.0mm Pitch Crimp Terminal

JVT2003TP-SNS
 Logo Series NO. T-Terminal P-Phosphor
 S-Stamping before Plating
 SN-Tin Plated bronze



JVT2003TP-SNS	Phos Bronze	Tin Plated	AWG#26~28	1.2mm(Max)	JVT2003 HOUSING
PART NO	Material	Finish(Pin)	Wire Range	Insulation O.D.	Mates With Part(s)

JVT2003/2004 SERIES 2.0mm pitch wire to wire connector

JVT2004H

2.0mm Pitch housing

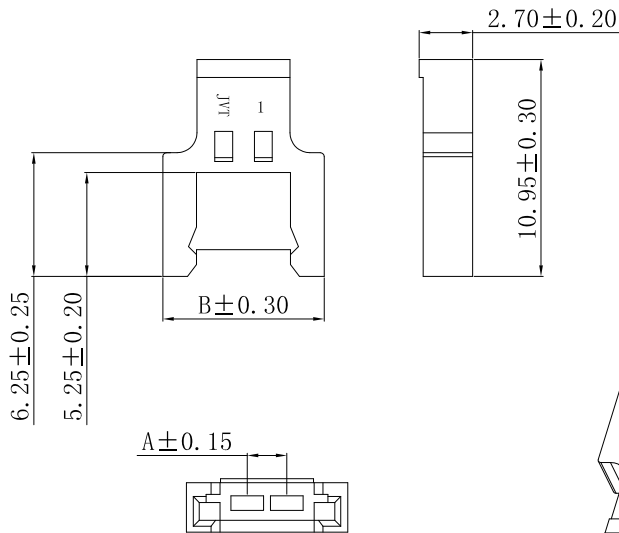
HOUSING

Part No. : JVT2004HXX-XXXX

Material: PA66/PBT UL94V-0

Mates With Part(s) : JVT2004 Terminal

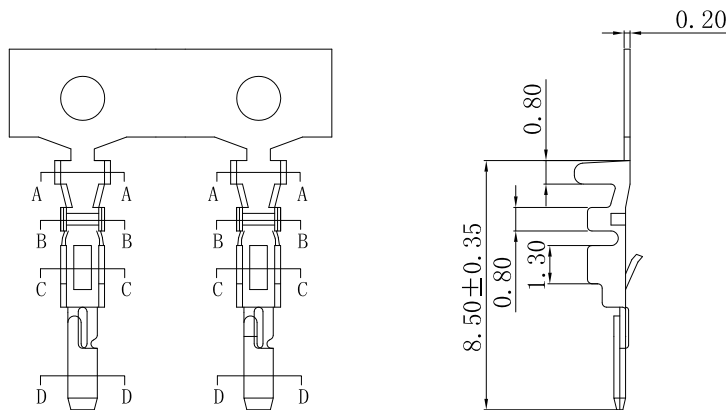
JVT2004HXX-XXXX
 logo ——— |
 Series NO. ——— |
 Housing ——— |
 WH-White
 BK-Black
 PIN数
 PT-PBT UL94V-0
 NO-PA66 UL94V-0



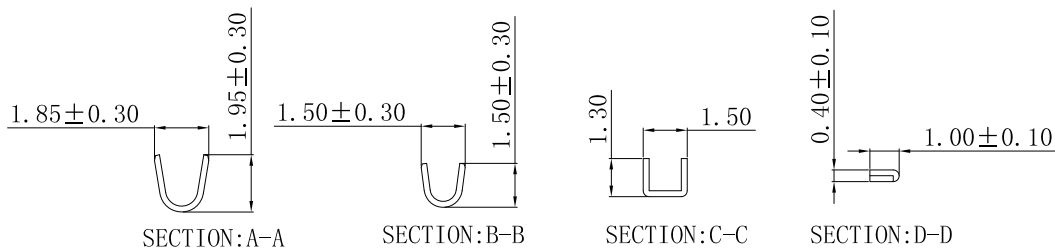
Poles	Dimensions (mm)	
	A	B
2	2.00	8.15
3	4.00	10.15
4	6.00	12.15
5	8.00	14.15
6	10.00	16.15
7	12.00	18.15
8	14.00	20.15
9	16.00	22.15
10	18.00	24.15
11	20.00	26.15
12	22.00	28.15
13	24.00	30.15
14	26.00	32.15
15	28.00	34.15
16	30.00	36.15

JVT2004T

2.0mm Pitch Crimp Terminal



JVT2004TP-SNS
 logo ——— |
 Series NO. ——— |
 T-Terminal ——— |
 P-Phosphor ——— |
 bronze ——— |
 S-Stamping
 before Plating
 SN-Tin Plated



JVT2004TP-SNS	Phos Bronze	Tin Plated	AWG#26~28	1.2mm(Max)	JVT2004 HOUSING
PART NO	Material	Finish(Pin)	Wire Range	Insulation O.D.	Mates With Part(s)

JVT2044H

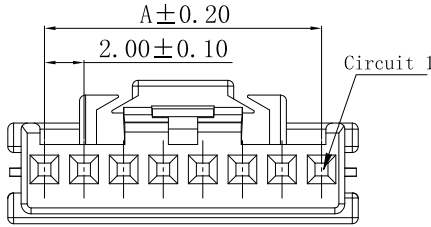
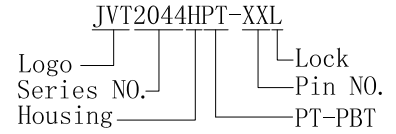
2.0mm Pitch Crimp Terminal

HOUSING

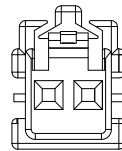
Part No.: JVT2044HPT-XXL

Material: PBT UL94V-0

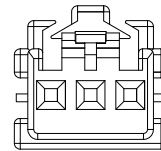
Mates With Part(s): JVT2044 Terminal



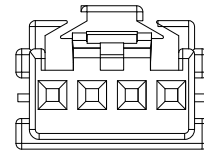
5P~15P



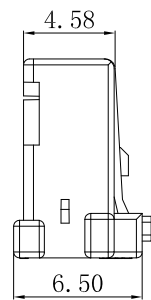
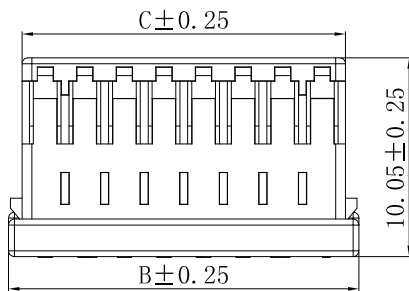
2P



3P



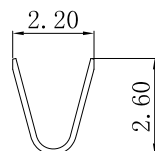
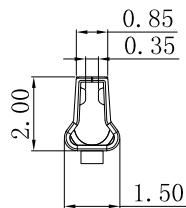
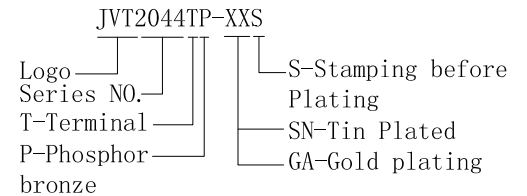
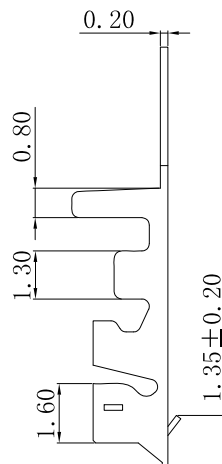
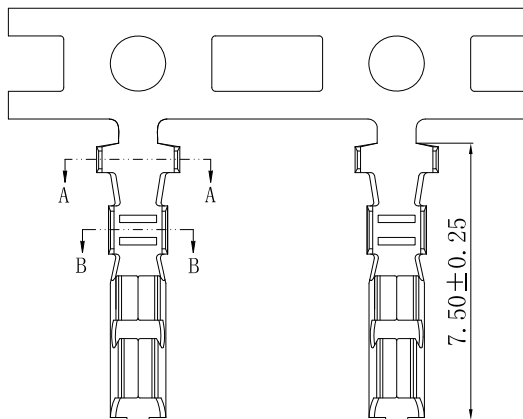
4P



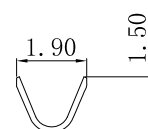
Part No.	Dimensions (mm)		
	A	B	C
02	2.00	5.71	4.35
03	4.00	7.71	6.35
04	6.00	9.71	8.35
05	8.00	11.71	10.35
06	10.00	13.71	12.35
08	14.00	17.71	16.35
10	18.00	21.71	20.35
12	22.00	25.71	24.35
14	26.00	29.71	28.35
15	28.00	31.71	30.35

JVT2044T

2.0mm Pitch Crimp Terminal



SEC: A-A



SEC: B-B

JVT2044TP-GAS	Phos Bronze	Gold-plated	AWG#22~26	1.5mm(Max)	JVT2044 HOUSING
JVT2044TP-SNS		Tin-Plated			
PART NO	Material	Finish(Pin)	Wire Range	Insulation O.D.	Mates With Part(s)