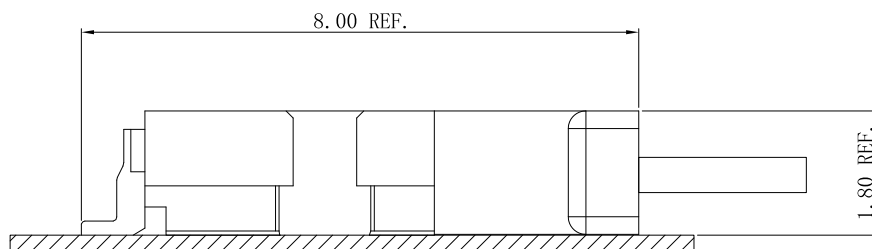


Specifications

- Voltage rating: 50V AC, DC
- Current Rating: 1A, AC, DC
- Withstand voltage: 500V AC/minute
- Contact resistance: 40m Ω max
- Insulation resistance: 100m Ω min
- Temperature range: -40°C ~ +105°C
- Compliant with RoHS and REACH
- Contact JVT for details

Assembly layout



JVT1222 SERIES

1.0mm pitch wire to board connector

JVT1222H

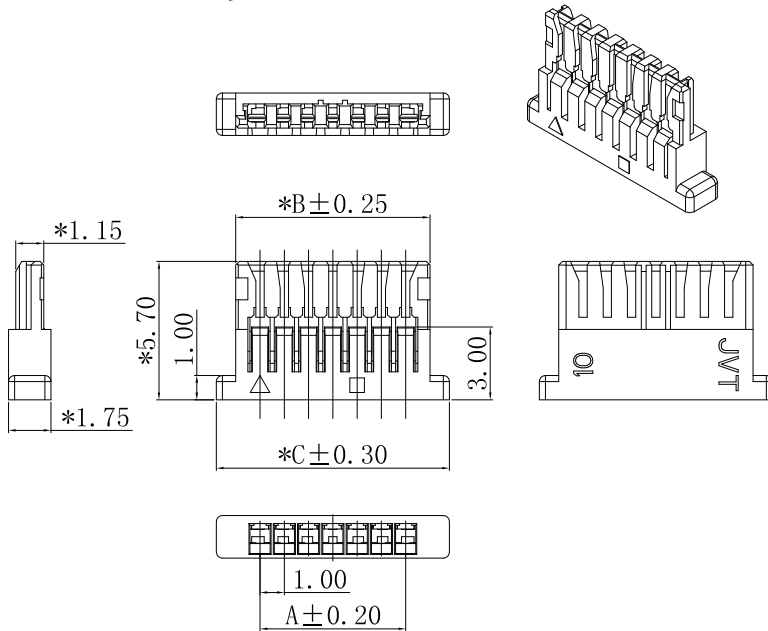
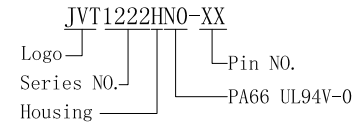
1.0mm Pitch housing

HOUSING

Part No. : JVT1222HN0-XX

Material: Nylon 66 UL94V-0

Mates With Part(s): JVT1222 Terminal



Poles	Dimensions (mm)		
	A	B	C
02	1.00	3.00	4.60
03	2.00	4.00	5.60
04	3.00	5.00	6.60
05	4.00	6.00	7.60
06	5.00	7.00	8.60
07	6.00	8.00	9.60
08	7.00	9.00	10.60
09	8.00	10.00	11.60
10	9.00	11.00	12.60
11	10.00	12.00	13.60
12	11.00	13.00	14.60
13	12.00	14.00	15.60
14	13.00	15.00	16.60
15	14.00	16.00	17.60
16	15.00	17.00	18.60
20	19.00	21.00	22.60
22	21.00	23.00	24.60
26	25.00	27.00	28.60
30	29.00	31.00	32.60

Unit:mm

JVT1222H

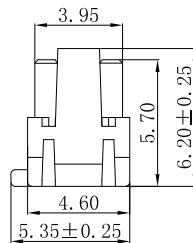
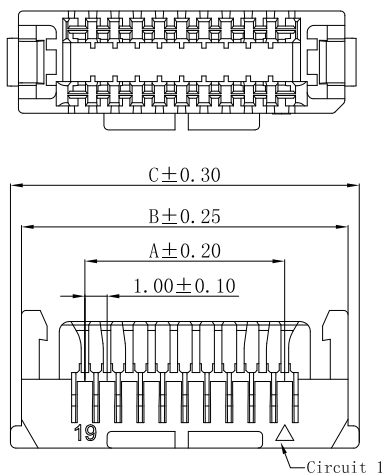
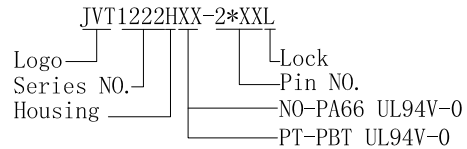
1.0mm Pitch housing

HOUSING

Part No. : JVT1222HXX-2*XXL

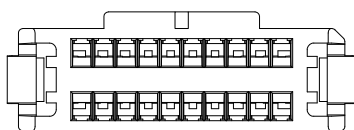
Material: PA66/PBT UL94V-0

Mates With Part(s): JVT1222 Terminal



Poles	DIM. A	DIM. B	DIM. C
2*10	9.00	14.70	15.70
2*15	14.00	19.70	20.70
2*20	19.00	24.70	25.70
2*25	24.00	29.70	30.70

Unit:mm



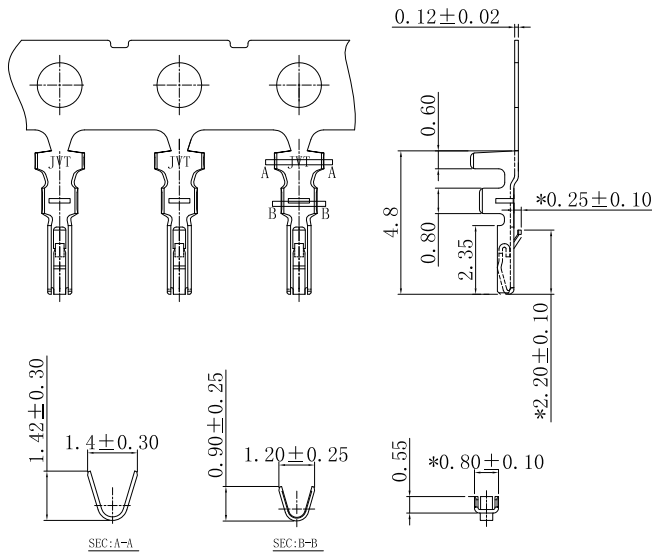
JVT1222HN0-2*XXL	PA66 UL94V-0	JVT1222TP-XXS
JVT1222HPT-2*XXL	PBT UL94V-0	JVT1222TP-XXS
PART NO	Material	Mates With Part(s)

JVT1222 SERIES

1.0mm pitch wire to board connector

JVT1222T

1.0mm Pitch Crimp Terminal

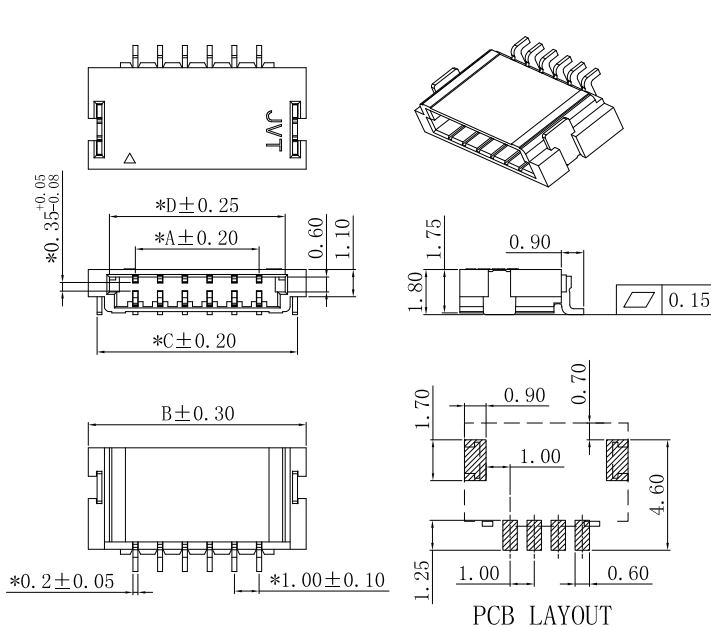


JVT1222TP-XXS
 Logo
 Series NO.
 T-Terminal
 P-phosphor bronze
 S-Stamping before Plating
 SN-Tin Plated
 GA-Gold plated

JVT1222TP-GAS	Phos Bronze	Gold Plated	AWG#28~32	0.8mm(Max)	JVT1222 HOUSING
JVT1222TP-SNS		Tin Plated			
PART NO	Material	Finish(Pin)	Wire Range	Insulation O.D.	Mates With Part(s)

JVT1222W

1.0mm Pitch 90° Wafer-SMT TYPE



JVT1222W9T-XXSWR-S
 Logo
 Series NO.
 Wafer
 PA9T
 SMT
 R-Right angle 90°
 SW-Matte Tin plating
 Pin NO.

Poles	DIM				Poles	DIM			
	A	B	C	D		A	B	C	D
02	1.50	4.80	4.10	3.10	10	13.50	12.80	12.10	11.10
03	3.00	5.80	5.10	4.10	11	15.00	13.80	13.10	12.10
04	4.50	6.80	6.10	5.10	12	16.50	14.80	14.10	13.10
05	6.00	7.80	7.10	6.10	13	18.00	15.80	15.10	14.10
06	7.50	8.80	8.10	7.10	14	19.50	16.80	16.10	15.10
07	9.00	9.80	9.10	8.10	15	21.00	17.80	17.10	16.10
08	10.50	10.80	10.10	9.10	16	22.50	18.80	18.10	17.10
09	12.00	11.80	11.10	10.10	17	24.00	19.80	19.10	18.10

Unit:mm

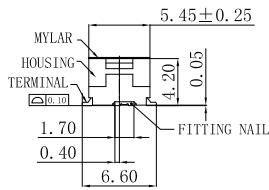
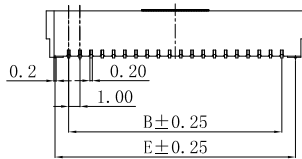
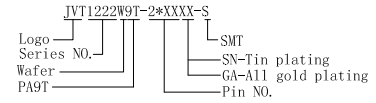
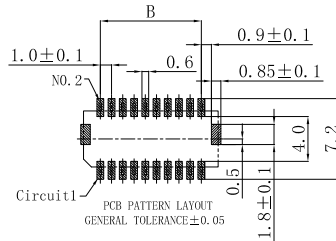
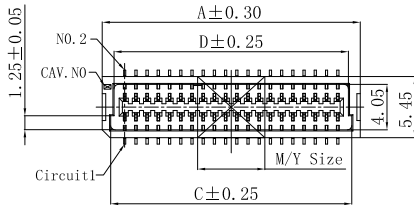
JVT1222W9T-XXSWR-S	PA9T UL94V-0	Phos Bronze	Gold Plated	Phos Bronze	Gold Plated	JVT1222 Housing
JVT1222W9T-XXSWR-S			Tin Plated		Tin Plated	JVT1222 Housing
PART NO	Material	Material(Pin)	Finish(Pin)	Material (Solder Tabs)	Finish (Solder Tabs)	Mates With Part(s)

JVT1222 SERIES

1.0mm pitch wire to board connector

JVT1222W

1.5mm Pitch Wafer-SMT TYPE



CKT	A	B	C	D	E	M/Y SIZE
20	13.0	9.0	11.5	10.8	11.43	7.2
24	15.0	11.0	13.5	12.8	13.43	7.2
30	18.0	14.0	16.5	15.8	16.43	7.2
40	23.0	19.0	21.5	20.8	21.43	7.2
50	28.0	24.0	26.5	25.8	26.43	7.2

Unit:mm

JVT1222W9T-2*XXXX-S	PA9T UL94V-0	Copper Alloy	Gold Plated	Copper Alloy	Gold Plated	JVT1222 Housing
JVT1222W9T-2*XXXX-S			Tin Plated		Tin Plated	JVT1222 Housing
PART NO	Material	Material(Pin)	Finish(Pin)	Material (Solder Tabs)	Finish (Solder Tabs)	Mates With Part(s)