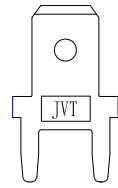


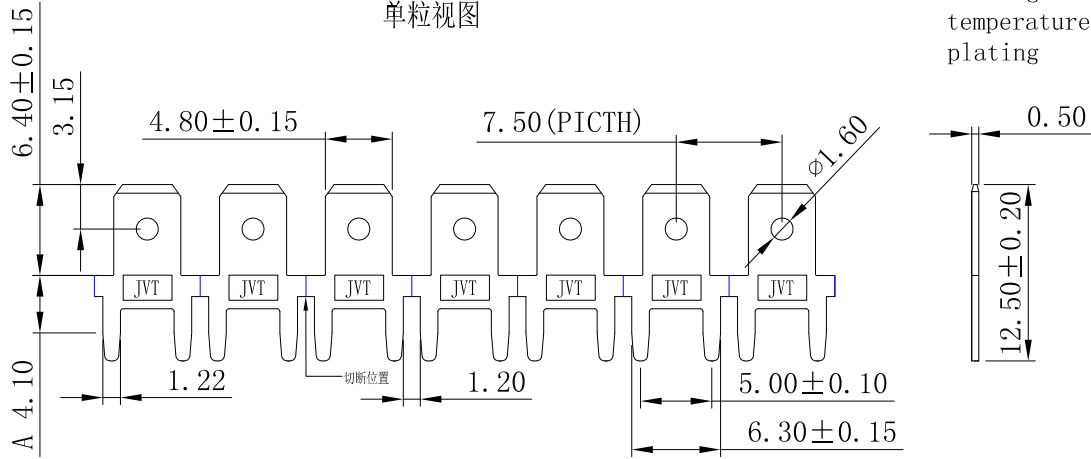
JVT187T

187 Male TER



单粒视图

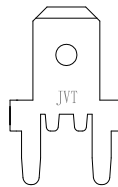
JVT187TB-HSNM-480  
 logo—  
 Series NO.—  
 T-Terminal—  
 B-Brass—  
 Width: 4.80mm  
 Male terminal  
 Stamping before Plating  
 HSN-High temperature tin plating



JVT187TB-HSNM-480	Brass	Tin Plated	NA	NA	NA
PART NO	Material	Finish(Pin)	Wire Range	Insulation O.D.	Mates With Part(s)

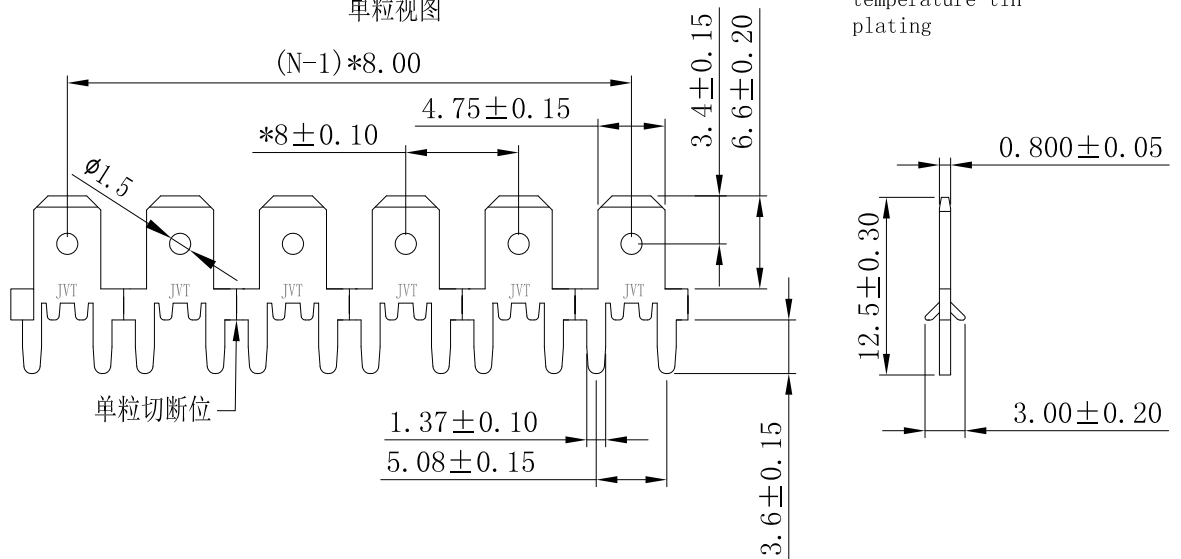
JVT187T

187 Male TER



单粒视图

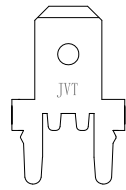
JVT187TB-HSNSML-475  
 Logo—  
 Series NO.—  
 T-Terminal—  
 B-Brass—  
 Width: 4.75mm  
 L-With the fixed foot  
 M-Male terminal  
 S-Stamping before Plating  
 HSN-High temperature tin plating



JVT187TB-HSNSML-475	Brass	Tin Plated	NA	NA	NA
PART NO	Material	Finish(Pin)	Wire Range	Insulation O.D.	Mates With Part(s)

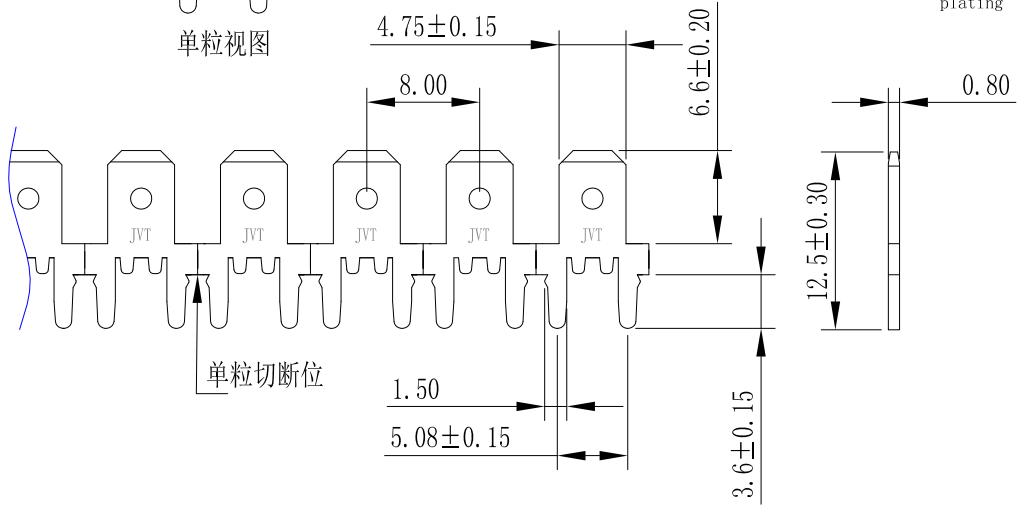
JVT187T

187 Male TER



单粒视图

JVT187TB-HSNSML1-475  
 Logo-  
 Series NO-  
 T-Terminal  
 B-Brass  
 Width: 4.75mm  
 L1-Straight foot  
 M-Male terminal  
 S-Stamping before Plating  
 HSN-High temperature tin plating

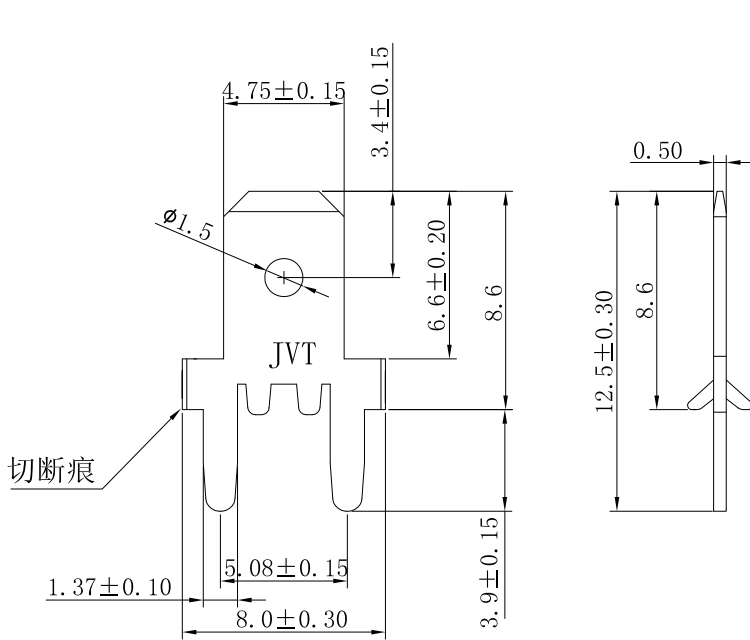


单粒切断位

JVT187TB-HSNSML1-475	Brass	Tin Plated	NA	NA	NA
PART NO	Material	Finish(Pin)	Wire Range	Insulation O.D.	Mates With Part(s)

JVT187T

187 Male TER

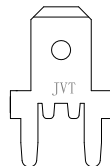


JVT187TB-HSNSML-475-T05-D  
Logo  
Series NO.  
T-Terminal  
B-Brass  
High temperature  
Tin-plated  
The thickness of 0.50 mm  
Insert the width: 4.75mm  
L-Lock  
Male TER  
S-Stamping before Plating

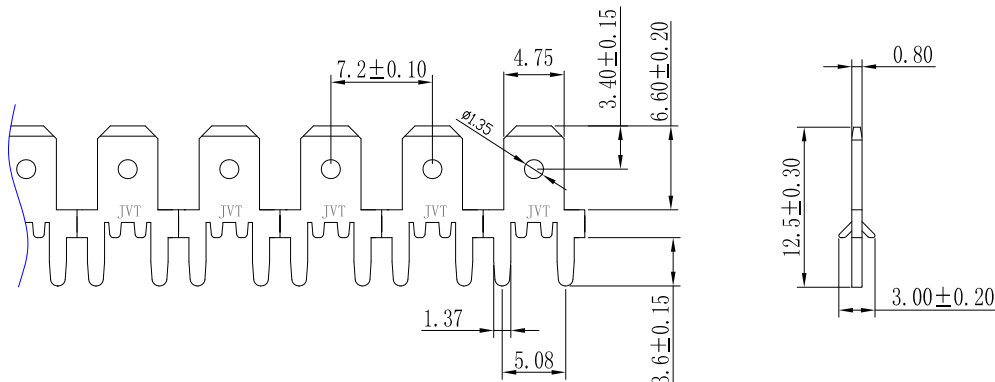
JVT187TB-HSNSML-475-T05-D	Brass	Tin Plated	NA	NA	NA
PART NO	Material	Finish(Pin)	Wire Range	Insulation O.D.	Mates With Part(s)

JVT187T

187 Male TER



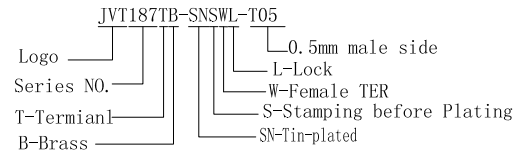
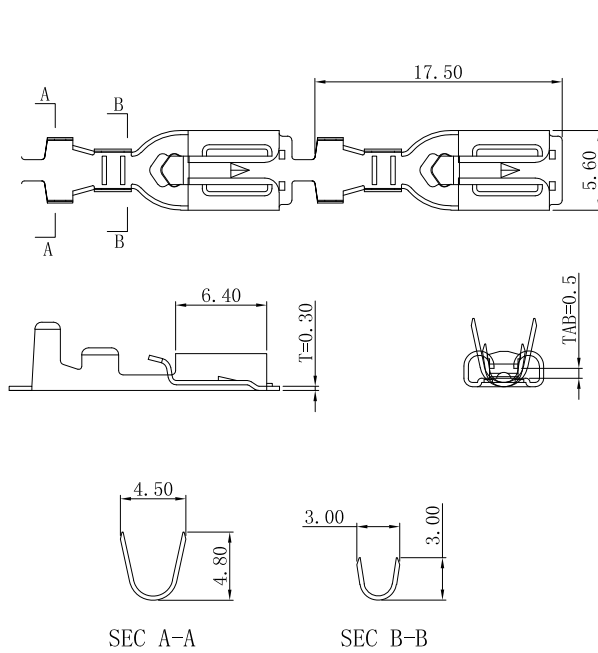
JVT187TB-HSNSML-475  
logo  
Series NO.  
T-Terminal  
B-Brass  
High temperature  
Tin-plated  
Insert the width: 4.75mm  
L-Lock  
Male TER  
S-Stamping before Plating



JVT187TB-HSNSML-475	Brass	Tin Plated	NA	NA	NA
PART NO	Material	Finish(Pin)	Wire Range	Insulation O.D.	Mates With Part(s)

**JVT187T**

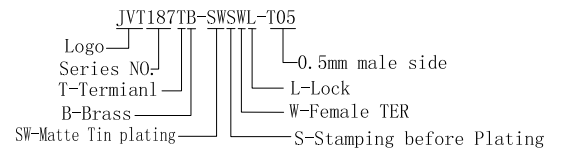
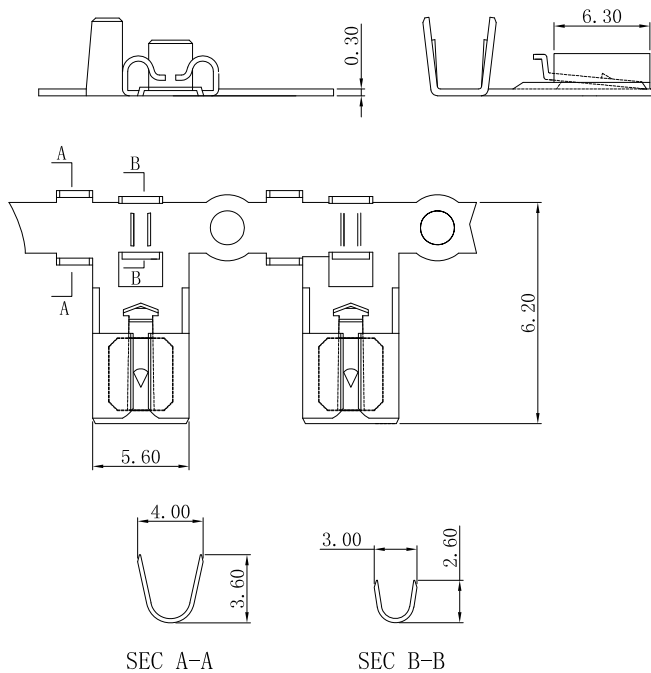
187 Female TER



JVT187TB-SNSWL-T03	Brass	Tin Plated	16-20AWG	3.10mm MAX	NA
PART NO	Material	Finish(Pin)	Wire Range	Insulation O.D.	Mates With Part(s)

**JVT187T**

187 Female TER



JVT187TB-SWSWL-T05	Brass	Matte Tin Plated	16-20AWG	2.40mm MAX	NA
PART NO	Material	Finish(Pin)	Wire Range	Insulation O.D.	Mates With Part(s)