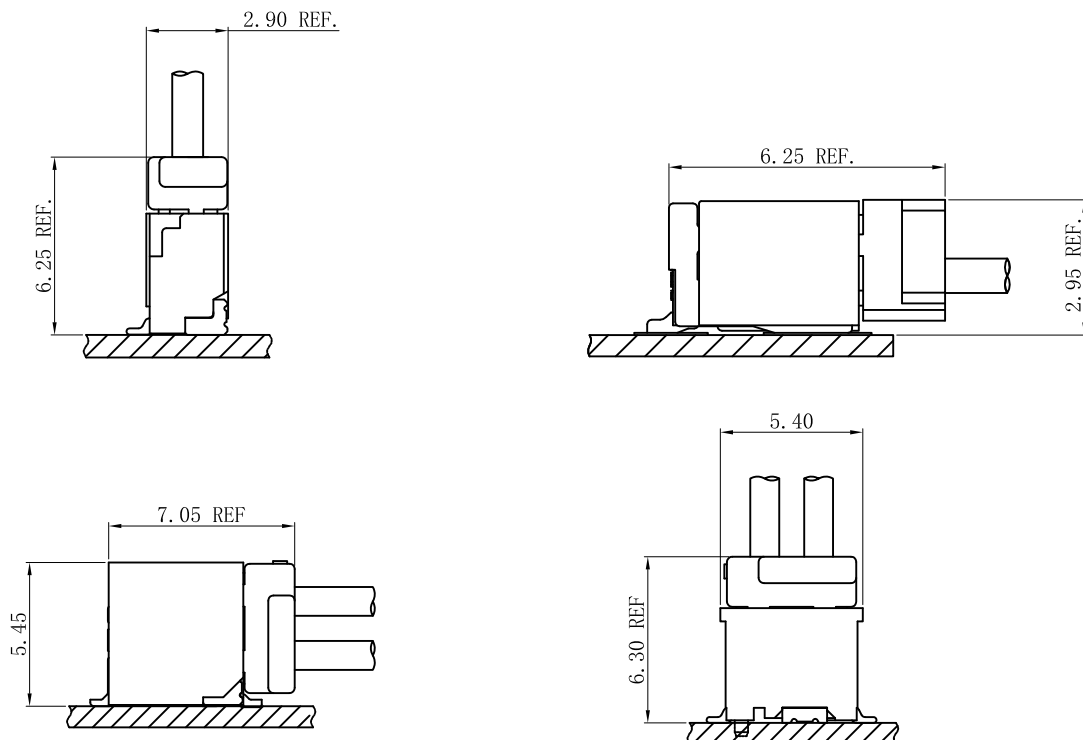


Specifications

- Voltage rating: 50V AC, DC
- Current Rating: 1A, AC, DC
- Withstand voltage: 500V AC/minute
- Contact resistance: 20mΩ max
- Insulation resistance: 100mΩ min
- Temperature range: -40°C ~ +105°C
- Compliant with RoHS and REACH
- Contact JVT for details

Assembly layout



JVT1253/1254 SERIES

1.0mm pitch wire to board connector

JVT1253H

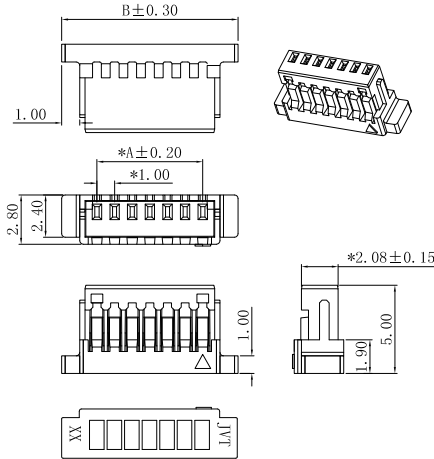
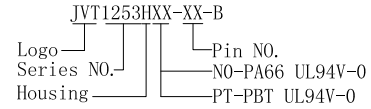
1.0mm Pitch housing

HOUSING

Part No. : JVT1253HXX-XX-B

Material: PA66/PBT UL94V-0

Mates With Part(s) : JVT1253 Terminal



Poles	Dimensions (mm)	
	A	B
02	1.0	5.0
03	2.0	6.0
04	3.0	7.0
05	4.0	8.0
06	5.0	9.0
07	6.0	10.0
08	7.0	11.0
09	8.0	12.0
10	9.0	13.0
11	10.0	14.0
12	11.0	15.0
13	12.0	16.0
14	13.0	17.0
15	14.0	18.0
16	15.0	19.0

Unit:mm

JVT1253HN0-XX-B	PA66 UL94V-0	JVT1253TP-XXS
JVT1253HPT-XX-B	PBT UL94V-0	JVT1253TP-XXS
PART NO	Material	Mates With Part(s)

JVT1253H

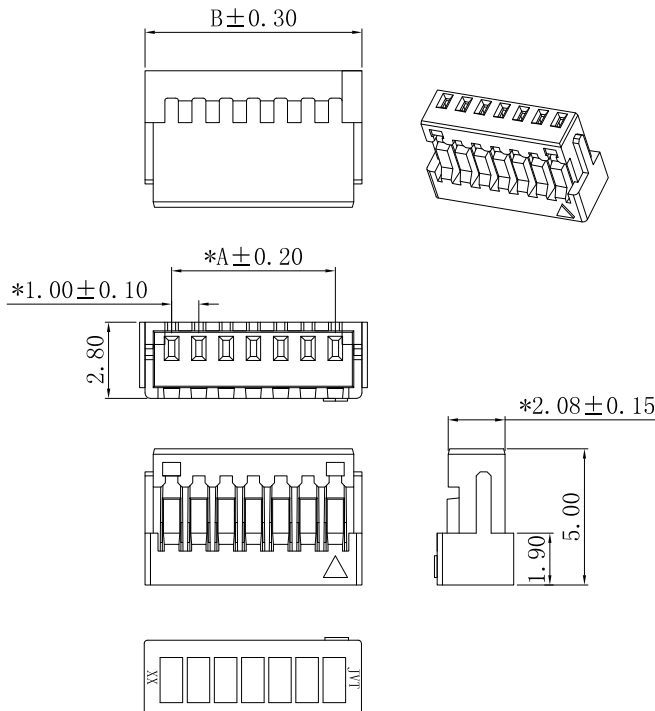
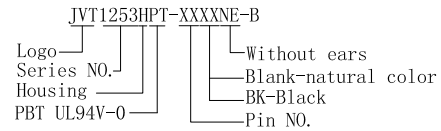
1.0mm Pitch housing

HOUSING

Part No. : JVT1253HPT-XXXXNE-B

Material: PBT UL94V-0

Mates With Part(s) : JVT1253 Terminal



Poles	Dimensions (mm)	
	A	B
02	1.0	3.0
03	2.0	4.0
04	3.0	5.0
05	4.0	6.0
06	5.0	7.0
07	6.0	8.0
08	7.0	9.0
09	8.0	10.0
10	9.0	11.0
11	10.0	12.0
12	11.0	13.0
13	12.0	14.0
14	13.0	15.0
15	14.0	16.0
16	15.0	17.0

Unit:mm

JVT1253/1254 SERIES

1.0mm pitch wire to board connector

JVT1253H

1.0mm Pitch housing

HOUSING

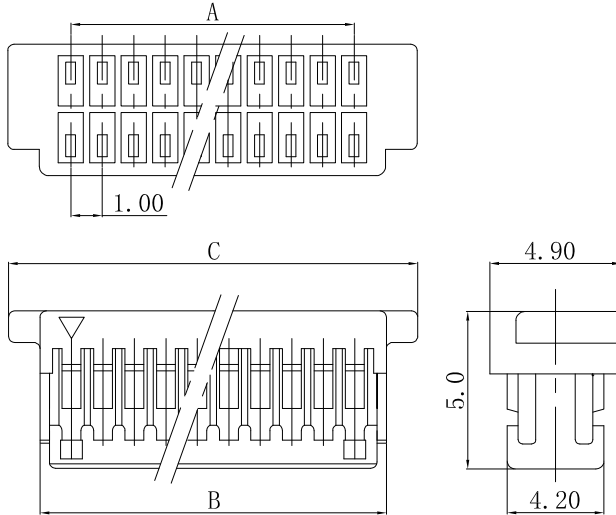
Part No. : JVT1253HN0-2*XX

Material: PA66 UL94V-0

Mates With Part(s) : JVT1253 Terminal

JVT1253HN0-2*XX

Logo Series NO. Housing Pin NO. NO-PA66 UL94V-0

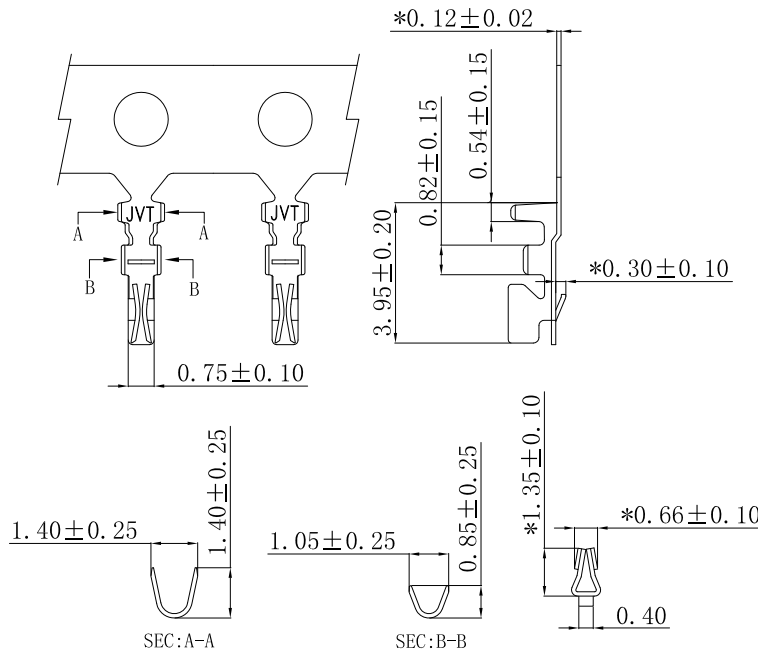


Poles	Dimensions (mm)		
	A	B	C
2*04	3.0	5.2	7.0
2*05	4.0	6.2	8.0
2*06	5.0	7.2	9.0
2*07	6.0	8.2	10.0
2*08	7.0	9.2	11.0
2*10	9.0	11.2	13.0
2*15	14.0	16.2	18.0
2*20	19.0	21.2	23.0
2*25	24.0	26.2	28.0

Unit:mm

JVT1253T

1.0mm Pitch Crimp Terminal



JVT1253TP-XXS

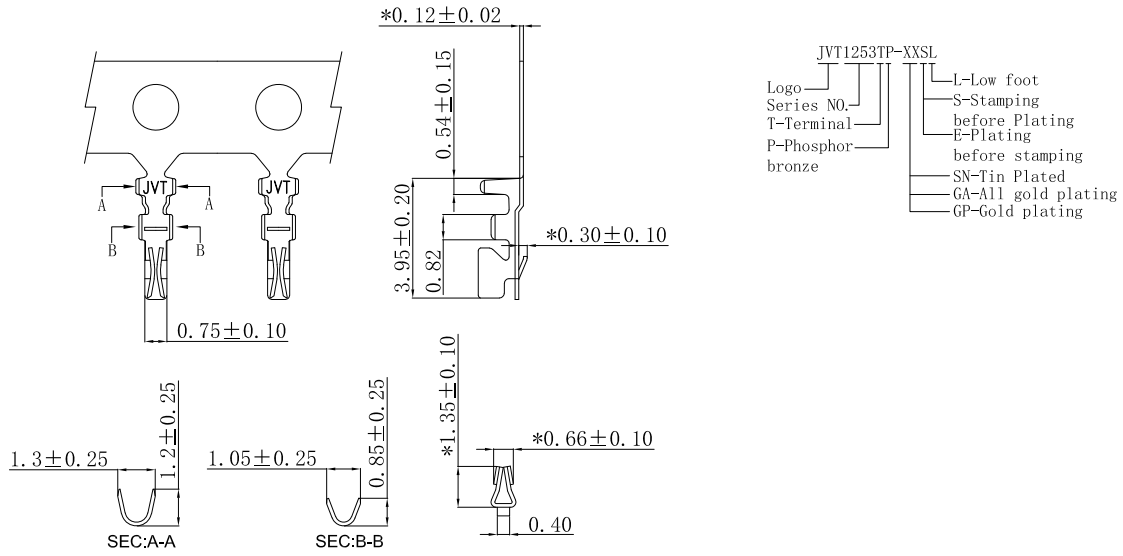
Logo Series NO. T-Terminal P-Phosphor bronze S-Stamping before Plating E-Plating before stamping SN-Tin Plated GA-All gold plating GP-Gold plating

JVT1253TP-GAS		Gold Plated			
JVT1253TP-GPS	Phos Bronze	Half Gold	AWG#28~32	0.8mm(Max)	JVT1253 HOUSING
JVT1253TP-SNS		Tin Plated			
PART NO	Material	Finish(Pin)	Wire Range	Insulation O.D.	Mates With Part(s)

JVT1253/1254 SERIES 1.0mm pitch wire to board connector

JVT1253T

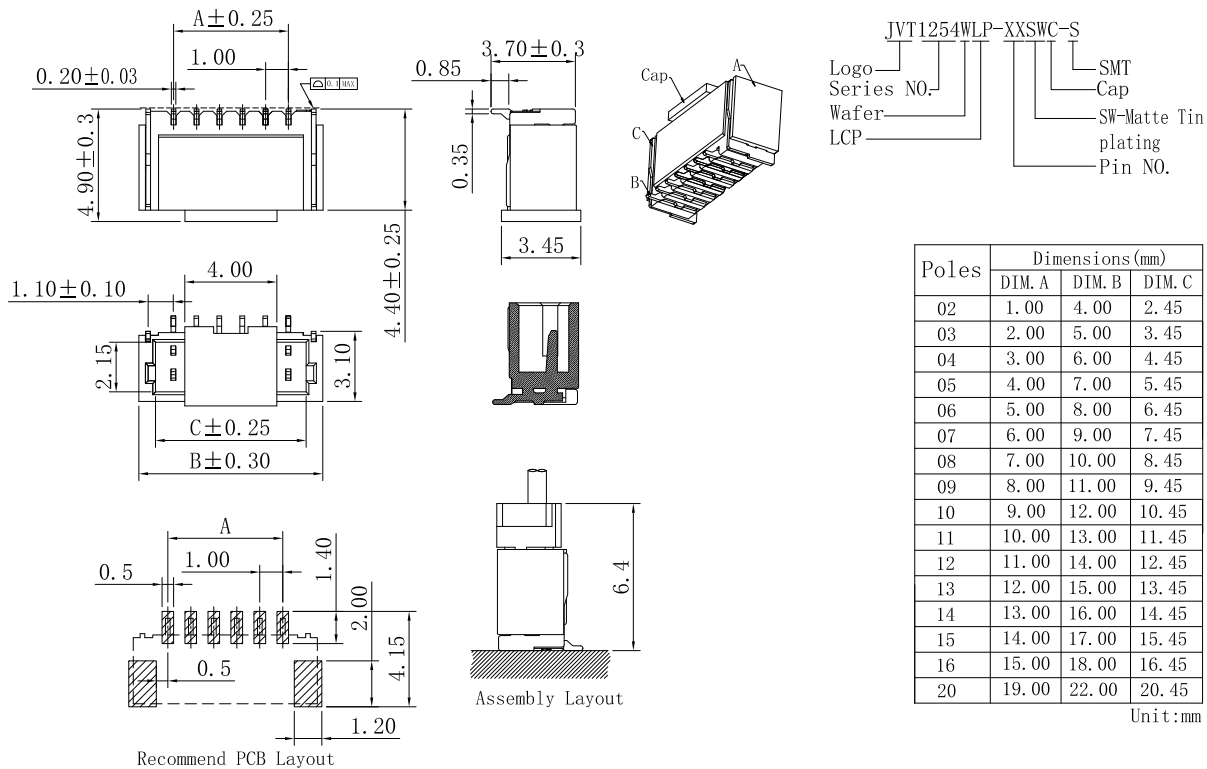
1.0mm Pitch Crimp Terminal



JVT1253TP-GAS	Phos Bronze	Gold Plated	AWG#28~32	0.7mm(Max)	JVT1253 HOUSING
JVT1253TP-GPS		Half Gold			
JVT1253TP-SNS		Tin Plated			
PART NO	Material	Finish(Pin)	Wire Range	Insulation O.D.	Mates With Part(s)

JVT1254W

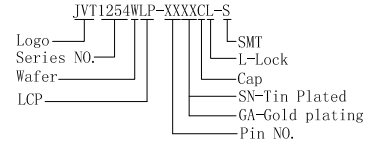
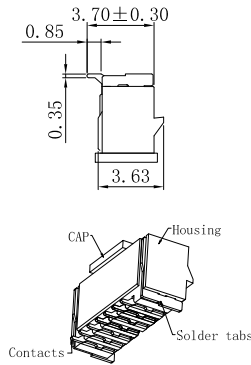
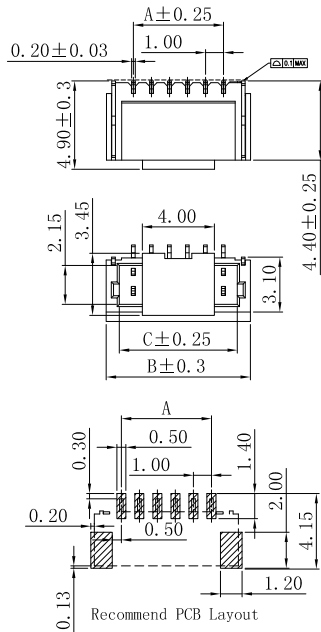
1.0mm Pitch Wafer-SMT TYPE



JVT1254WLP-XXSWC-S	LCP UL94V-0	Phos Bronze	MATTE Sn-plated	Phos Bronze	MATTE Sn-plated	JVT1253 Housing
PART NO	Material	Material(Pin)	Finish(Pin)	Material (Solder Tabs)	Finish (Solder Tabs)	Mates With Part(s)

JVT1254W

1.0mm Pitch Wafer-SMT TYPE



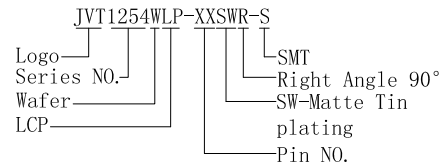
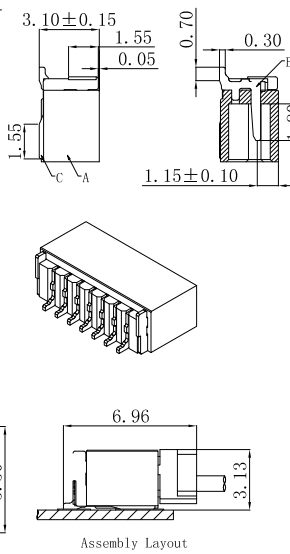
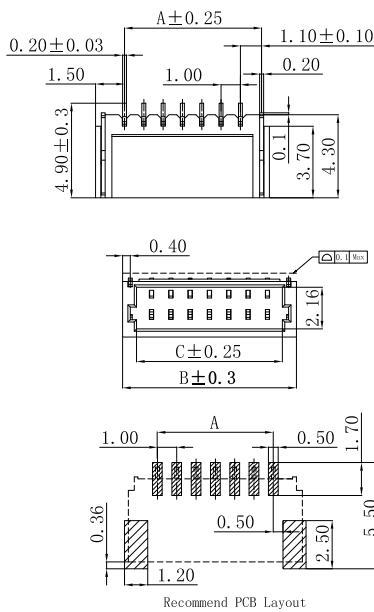
Poles	Dimensions (mm)		
	DIM. A	DIM. B	DIM. C
02	1.00	4.00	2.45
03	2.00	5.00	3.45
04	3.00	6.00	4.45
05	4.00	7.00	5.45
06	5.00	8.00	6.45
07	6.00	9.00	7.45
08	7.00	10.00	8.45
09	8.00	11.00	9.45
10	9.00	12.00	10.45
11	10.00	13.00	11.45
12	11.00	14.00	12.45
13	12.00	15.00	13.45
14	13.00	16.00	14.45
15	14.00	17.00	15.45
16	15.00	18.00	16.45
20	19.00	22.00	20.45

Unit:mm

JVT1254WLP-XXXXCL-S	LCP UL94V-0	Phos Bronze	Gold Plated	Phos Bronze	Tin Plated	JVT1253 Housing
JVT1254WLP-XXXXCL-S			Tin Plated			JVT1253 Housing
PART NO	Material	Material(Pin)	Finish(Pin)	Material (Solder Tabs)	Finish (Solder Tabs)	Mates With Part(s)

JVT1254W

1.0mm Pitch 90° Wafer-SMT TYPE



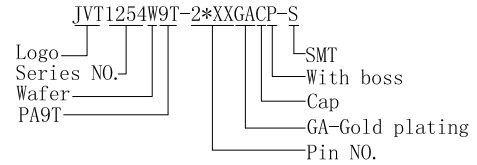
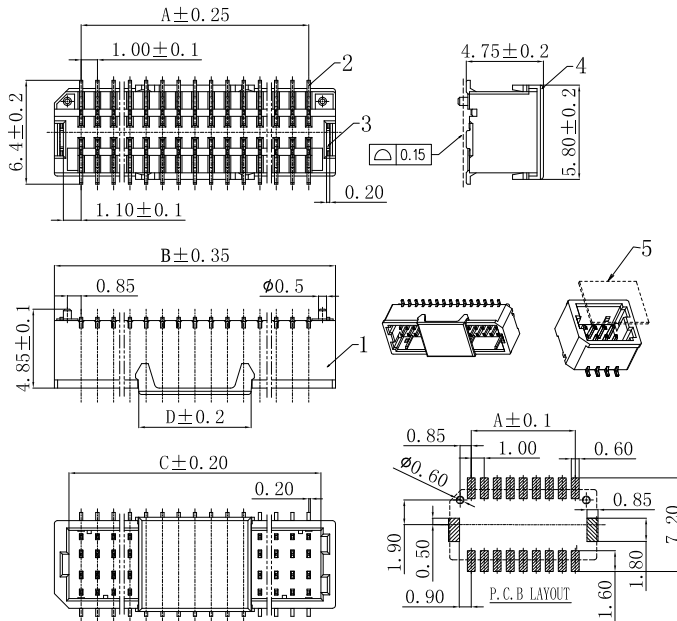
Poles	Dimensions (mm)		
	DIM. A	DIM. B	DIM. C
02	1.00	4.00	2.55
03	2.00	5.00	3.55
04	3.00	6.00	4.55
05	4.00	7.00	5.55
06	5.00	8.00	6.55
07	6.00	9.00	7.55
08	7.00	10.00	8.55
09	8.00	11.00	9.55
10	9.00	12.00	10.55
11	10.00	13.00	11.55
12	11.00	14.00	12.55
13	12.00	15.00	13.55
14	13.00	16.00	14.55
15	14.00	17.00	15.55
16	15.00	18.00	16.55
20	19.00	22.00	20.55

Unit:mm

JVT1254WLP-XXSWR-S	LCP UL94V-0	Phos Bronze	MATTE Sn-plated	Phos Bronze	MATTE Sn-plated	JVT1253 Housing
PART NO	Material	Material(Pin)	Finish(Pin)	Material (Solder Tabs)	Finish (Solder Tabs)	Mates With Part(s)

JVT1254W

1.0mm Pitch Wafer-SMT TYPE



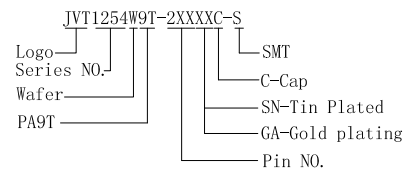
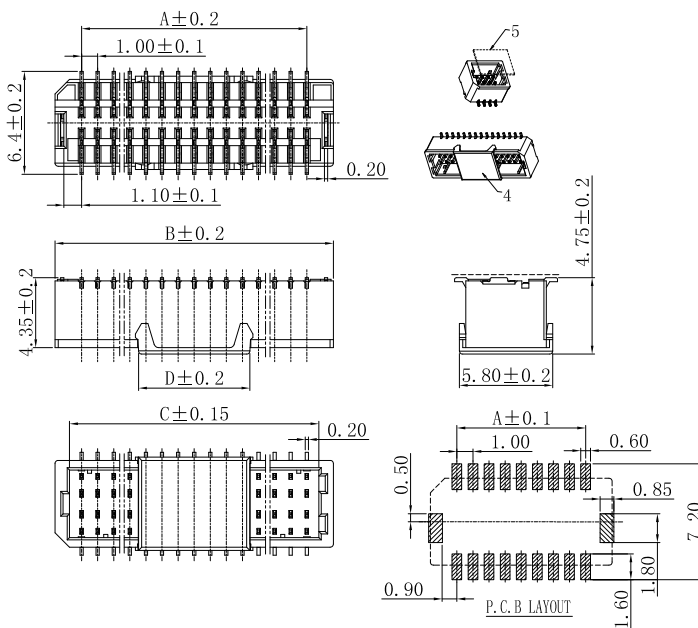
Poles	A	B	C	D
2*02	1.0	4.3	2.5	Mylar
2*03	2.0	5.3	3.5	
2*04	3.0	6.3	4.5	
2*05	4.0	7.3	5.5	4.0
2*06	5.0	8.3	6.5	
2*08	7.0	10.3	8.5	7.0
2*10	9.0	12.3	10.5	
2*11	10.0	13.3	11.5	
2*12	11.0	14.3	12.5	
2*14	13.0	16.3	14.5	
2*15	14.0	17.3	15.5	
2*16	15.0	18.3	16.5	
2*18	17.0	20.3	18.5	
2*20	19.0	22.3	20.5	
2*25	24.0	27.3	25.5	

Unit:mm

JVT1254W9T-2*XXGACP-S	PA9T UL94V-0	Phos Bronze	Gold Plated	Brass	Tin Plated	JVT1253 Housing
JVT1254W9T-2*XXGACP-S			Tin Plated			
PART NO	Material	Material(Pin)	Finish(Pin)	Material (Solder Tabs)	Finish (Solder Tabs)	Mates With Part(s)

JVT1254W

1.0mm Pitch Wafer-SMT TYPE



Poles	A	B	C	D
2*02	1.0	4.3	2.5	Mylar
2*03	2.0	5.3	3.5	
2*04	3.0	6.3	4.5	
2*05	4.0	7.3	5.5	4.0
2*06	5.0	8.3	6.5	
2*08	7.0	10.3	8.5	7.0
2*10	9.0	12.3	10.5	
2*11	10.0	13.3	11.5	
2*12	11.0	14.3	12.5	
2*14	13.0	16.3	14.5	
2*15	14.0	17.3	15.5	
2*16	15.0	18.3	16.5	
2*18	17.0	20.3	18.5	
2*20	19.0	22.3	20.5	
2*25	24.0	27.3	25.5	

Unit:mm

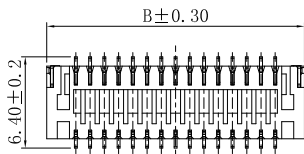
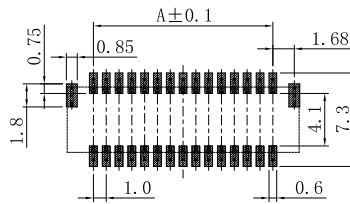
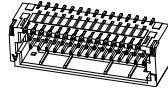
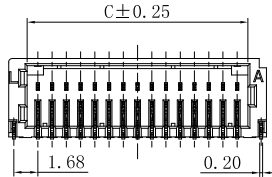
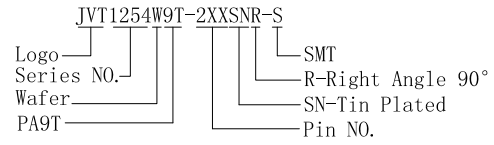
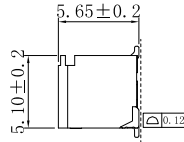
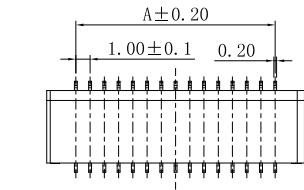
JVT1254W9T-2XXXXC-S	PA9T UL94V-0	Phos Bronze	Gold Plated	Brass	Tin Plated	JVT1253 Housing
JVT1254W9T-2XXXXC-S			Tin Plated			
PART NO	Material	Material(Pin)	Finish(Pin)	Material (Solder Tabs)	Finish (Solder Tabs)	Mates With Part(s)

JVT1253/1254 SERIES

1.0mm pitch wire to board connector

JVT1254W

1.0mm Pitch 90° Wafer-SMT TYPE



Poles	A	B	C
2*05	4.0	8.1	5.5
2*06	5.0	9.1	6.5
2*07	6.0	10.1	7.5
2*08	7.0	11.1	8.5
2*09	8.0	12.1	9.5
2*10	9.0	13.1	10.5
2*15	14.0	18.1	15.5
2*20	19.0	23.1	20.5
2*25	24.0	28.1	25.5

Unit:mm

JVT1254W9T-2*XXSNR-S	PA9T UL94V-0	Phos Bronze	Gold Plated	Brass	Tin Plated	JVT1253 Housing
JVT1254W9T-2*XXSNR-S			Tin Plated			
PART NO	Material	Material(Pin)	Finish(Pin)	Material (Solder Tabs)	Finish (Solder Tabs)	Mates With Part(s)