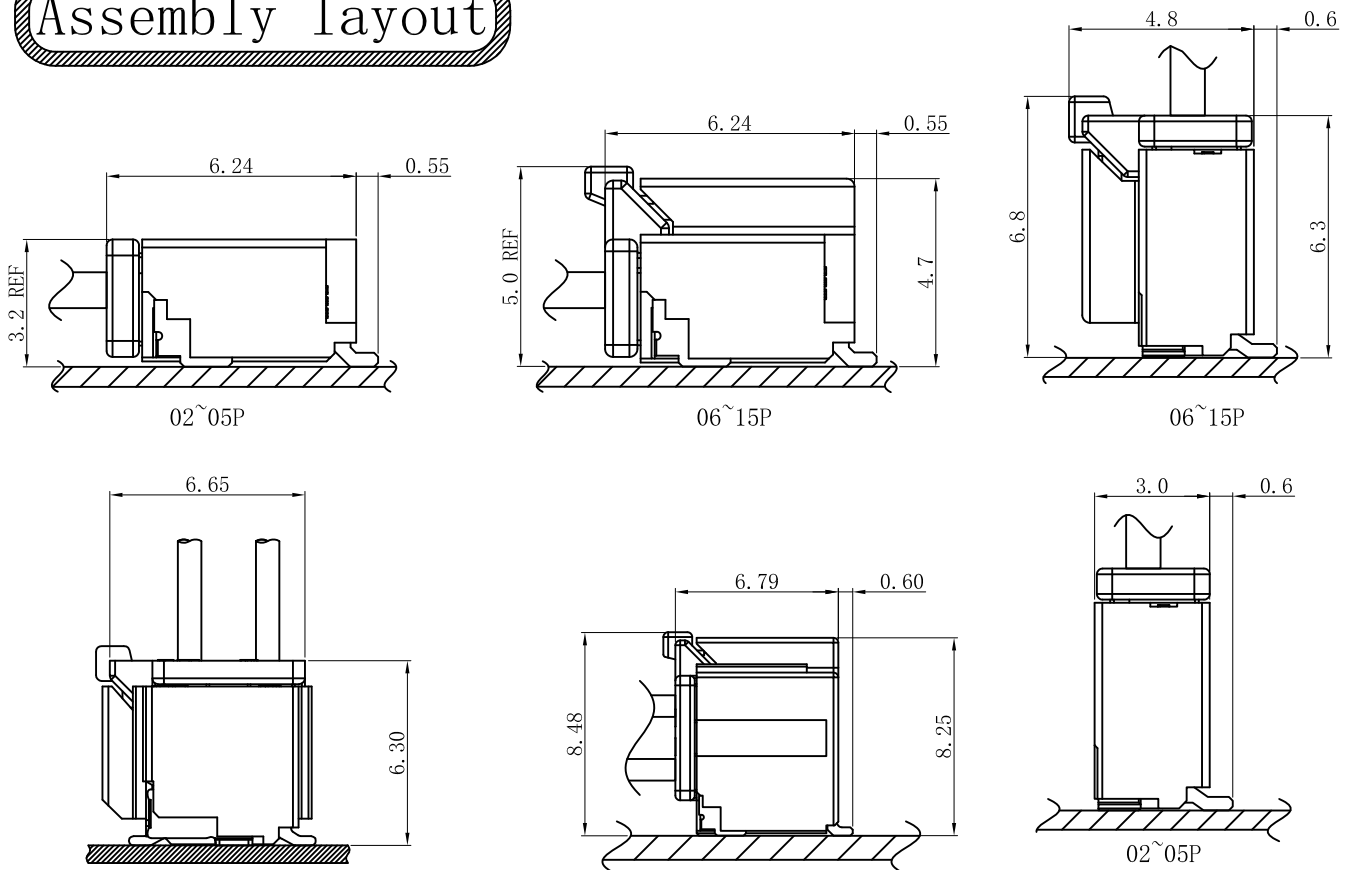


Specifications

- Voltage rating: 50V AC, DC
- Current Rating: 1A, AC, DC
- Withstand voltage: 250V AC/minute
- Contact resistance: 20mΩ max
- Insulation resistance: 100mΩ min
- Temperature range: -40°C ~ +105°C
- Compliant with RoHS and REACH
- Contact JVT for details

Assembly layout



JVT1005 SERIES

1.0mm pitch wire to board connector

JVT1005H

1.0mm Pitch housing

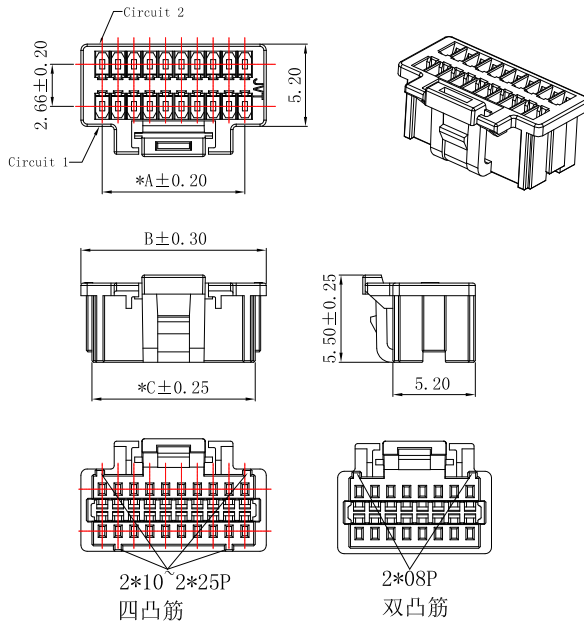
HOUSING

Part No. : JVT1005HN0-2*XXXXL

Material: Nylon 66 UL94V-0

Mates With Part(s): JVT1005 Terminal

JVT1005HN0-2*XXXXL
Logo
Series NO.
Housing
N0-PA66 UL94V-0
Lock
Blank-Natural color
BK-Black
Pin NO.



Poles	Dimensions (mm)		
	A	B	C
2*08	7.00	9.70	8.30
2*10	9.00	11.70	10.30
2*12	11.00	13.70	12.30
2*14	13.00	15.70	14.30
2*15	14.00	16.70	15.30
2*18	17.00	19.70	18.30
2*20	19.00	21.70	20.30
2*25	24.00	26.70	25.30

Unit:mm

JVT1005H

1.0mm Pitch housing

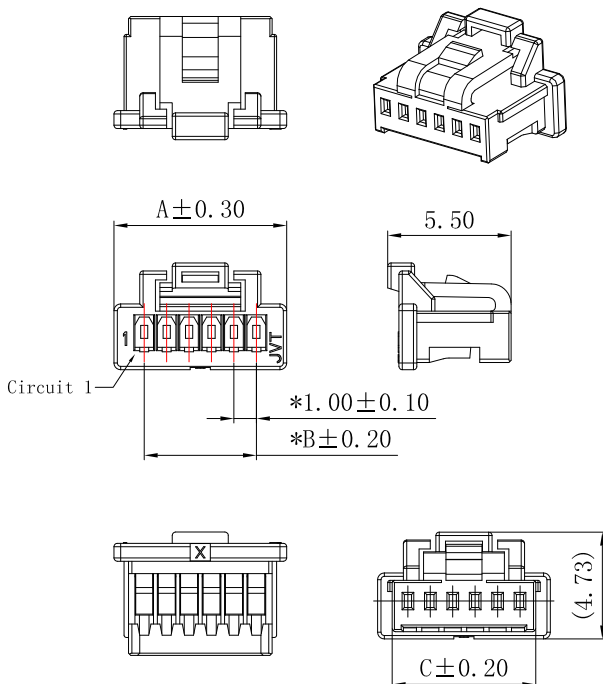
HOUSING

Part No. : JVT1005HN0-XXXXL

Material: Nylon 66 UL94V-0

Mates With Part(s): JVT1005 Terminal

JVT1005HN0-XXXXL
Logo
Series NO.
Housing
N0-PA66 UL94V-0
L-Lock
Blank-Natural color
BK-Black
Pin NO.



Poles	Dimensions (mm)		
	A	B	C
06	7.70	5.00	6.40
07	8.70	6.00	7.40
08	9.70	7.00	8.40
09	10.70	8.00	9.40
10	11.70	9.00	10.40
11	12.70	10.00	11.40
12	13.70	11.00	12.40
13	14.70	12.00	13.40
14	15.70	13.00	14.40
15	16.70	14.00	15.40

Unit:mm

JVT1005 SERIES

1.0mm pitch wire to board connector

JVT1005H

1.0mm Pitch housing

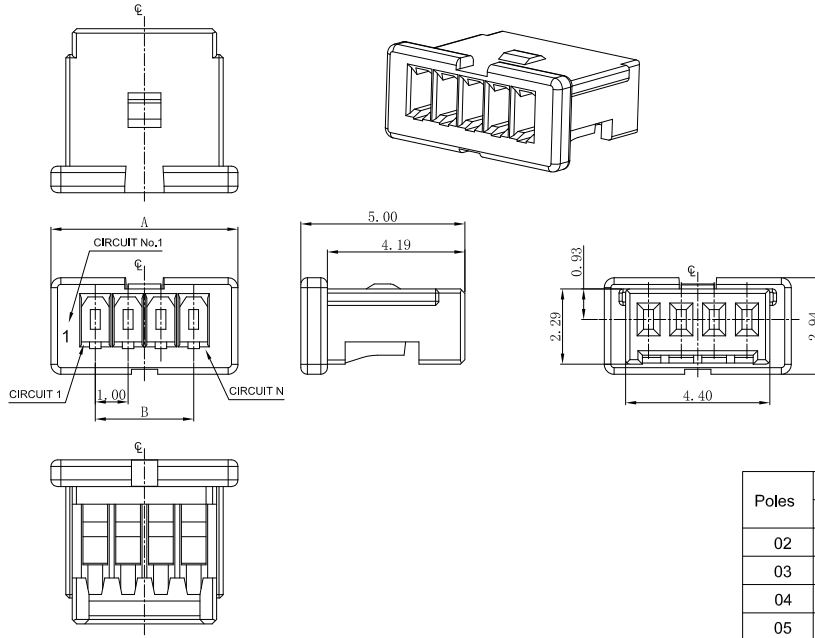
HOUSING

Part No. : JVT1005HN0-XXXX

Material: Nylon 66 UL94V-0

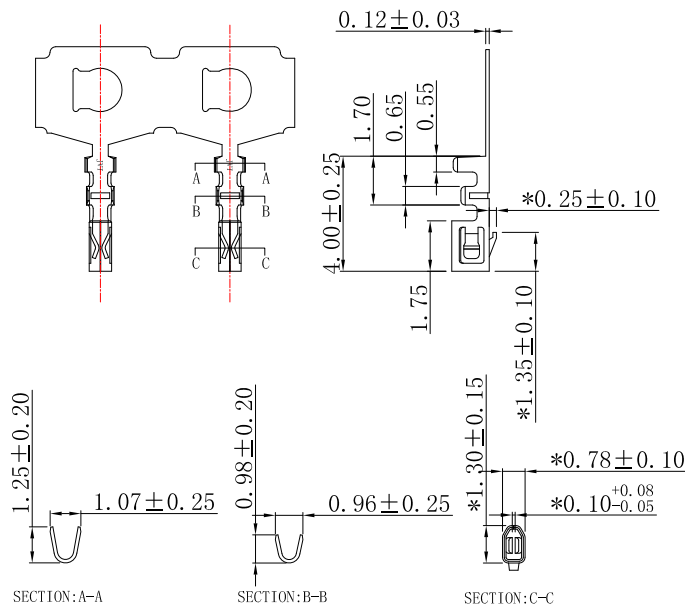
Mates With Part(s): JVT1005 Terminal

JVT1005HN0-XXXX
Logo
Series NO.
Housing
N0-PA66 UL94V-0
Blank-Natural
BK-Black
Pin NO.



JVT1005T

1.0mm Pitch Crimp Terminal



JVT1005TP-SNS
Logo
Series NO.
T-Terminal
P-phosphor bronze
S-Stamping before Plating
SN-Tin Plated

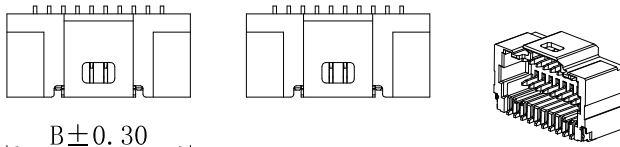
JVT1005TP-SNS	Phos Bronze	Tin Plated	AWG#28~32	0.8mm(Max)	JVT1005 HOUSING
PART NO	Material	Finish(Pin)	Wire Range	Insulation O.D.	Mates With Part(s)

JVT1005 SERIES

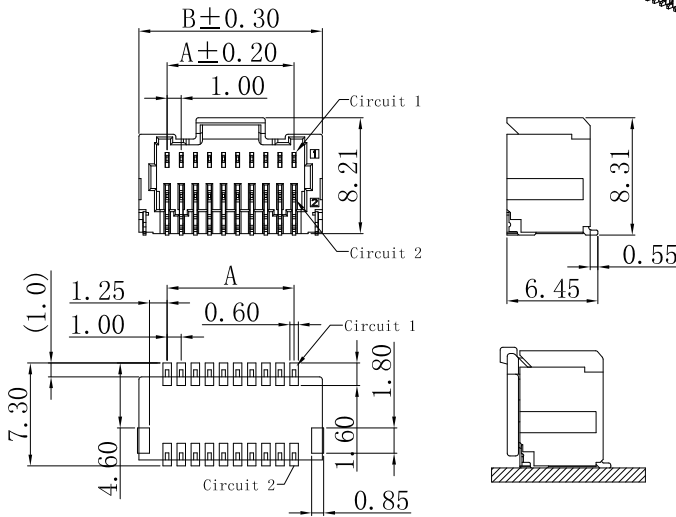
1.0mm pitch wire to board connector

JVT1005W

1.0mm Pitch 90° Wafer-SMT TYPE



JVT1005W4T-2*XXXXXXR-S
 Logo
 Series NO.
 Wafer
 PA4T
 Pin NO.
 SMT
 R-Right Angle 90°
 BK-BLACK
 Blank-Natural color
 GA-All gold plating
 SN-Tin Plated



Poles	Dimensions (mm)	
	A	B
2*08	7.00	11.00
2*10	9.00	13.00
2*12	11.00	15.00
2*15	14.00	18.00
2*18	17.00	21.00
2*20	19.00	23.00
2*25	24.00	28.00

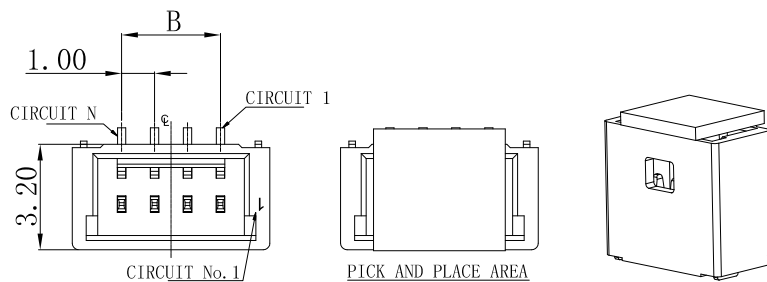
Unit:mm

Recommended P.C.B Layout
 General Tolerance ±0.05

JVT1005W4T-2*XXXXXXC-S	PA4T	Phos Bronze	Gold plated	Brass	Tin Plated	JVT1005 Housing
JVT1005W4T-2*XXXXXXR-S			Tin Plated			
PART NO	Material	Material(Pin)	Finish(Pin)	Material (Solder Tabs)	Finish (Solder Tabs)	Mates With Part(s)

JVT1005W

1.0mm Pitch Wafer-SMT TYPE



JVT1005W4T-XXSWC-S
 Logo
 Series NO.
 Wafer
 PA4T
 SMT
 C-Cap
 SW-Matte Tin plating
 Pin NO.

POLES	Dimensions (mm)	
	A	B
02	4.00	1.00
03	5.00	2.00
04	6.00	3.00
05	7.00	4.00

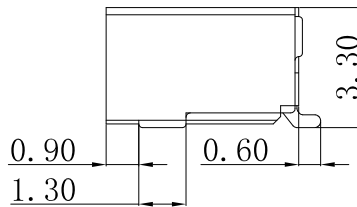
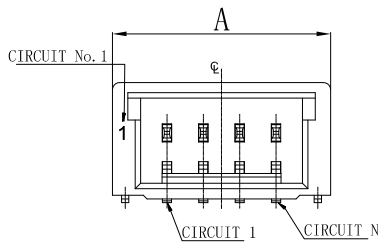
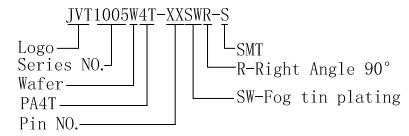
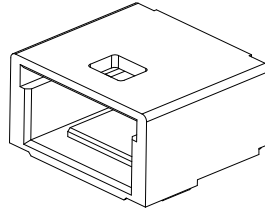
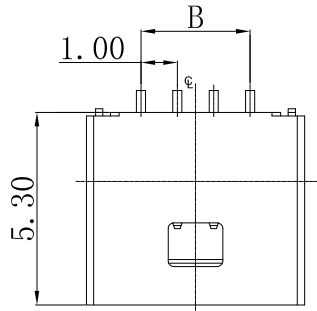
Unit:mm

JVT1005W4T-XXSWC-S	PA4T	Phos Bronze	Matte Tin plated	JVT1005 Housing
PART NO	Material	Material(Pin)	Finish(Pin)	Mates With Part(s)

JVT1005 SERIES

1.0mm pitch wire to board connector

JVT1005W — 1.0mm Pitch 90° Wafer-SMT TYPE —

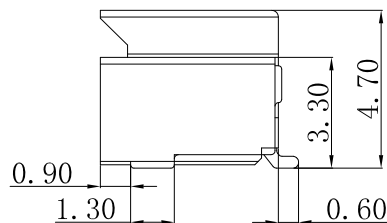
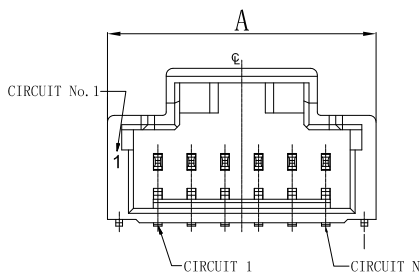
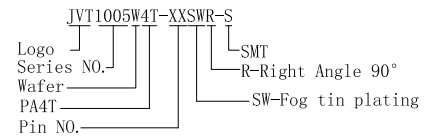
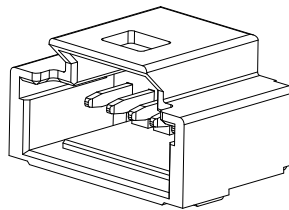
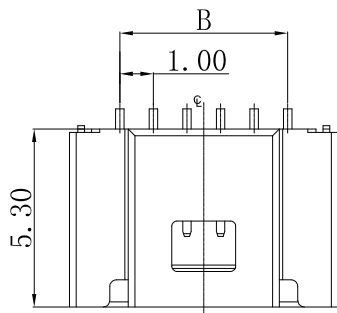


Poles	Dimensions (mm)	
	A	B
02	4.00	1.00
03	5.00	2.00
04	6.00	3.00
05	7.00	4.00

Unit:mm

JVT1005W4T-XXSWR-S	PA4T	Phos Bronze	Matte Tin plated	JVT1005 Housing
PART NO	Material	Material(Pin)	Finish(Pin)	Mates With Part(s)

JVT1005W — 1.0mm Pitch 90° Wafer-SMT TYPE —



Poles	Dimensions (mm)		Poles	Dimensions (mm)	
	A	B		A	B
06	8.00	5.00	11	13.00	10.00
07	9.00	6.00	12	14.00	11.00
08	10.00	7.00	13	15.00	12.00
09	11.00	8.00	14	16.00	13.00
10	12.00	9.00	15	17.00	14.00

Unit:mm

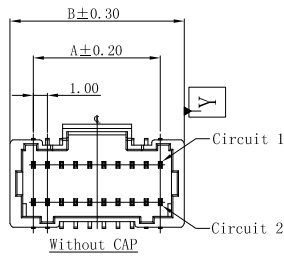
JVT1005W4T-XXSWR-S	PA4T	Phos Bronze	Matte Tin plated	JVT1005 Housing
PART NO	Material	Material(Pin)	Finish(Pin)	Mates With Part(s)

JVT1005 SERIES

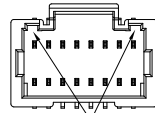
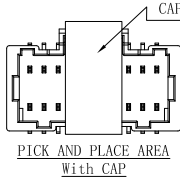
1.0mm pitch wire to board connector

JVT1005W

1.0mm Pitch wafer



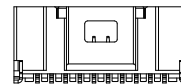
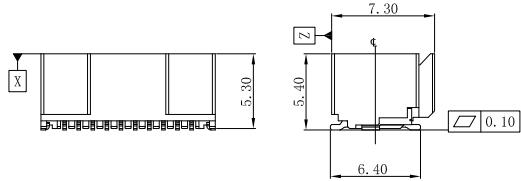
2*10~2*25, With Four Slot



2*08, With Tow Slot

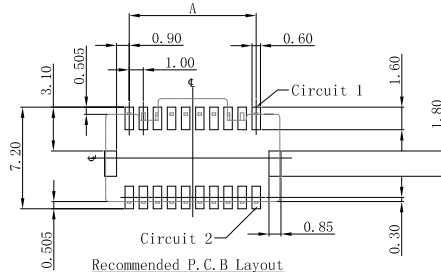
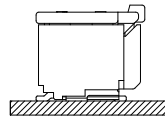
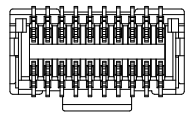
JVT1005W4T-2*XXXXXXC-S

- Logo
- Series NO.
- Wafer
- PA4T
- Pin NO.
- SMT
- Cap
- BK-BLACK
- Blank-Natural color
- GA-All gold plating
- Sn-Tin Plated



Poles	Dimensions (mm)	
	A	B
2*08	7.00	10.35
2*10	9.00	12.35
2*12	11.00	14.35
2*14	13.00	16.35
2*15	14.00	17.35
2*18	17.00	20.35
2*20	19.00	22.35
2*25	24.00	27.35

Unit:mm



Recommended P.C.B Layout
General Tolerance±0.05

JVT1005W4T-2*XXXXXXC-S	PA4T	Phos Bronze	Gold plated	Brass	Tin Plated	JVT1005 Housing
JVT1005W4T-2*XXXXXXC-S			Tin Plated			
PART NO	Material	Material(Pin)	Finish(Pin)	Material (Solder Tabs)	Finish (Solder Tabs)	Mates With Part(s)