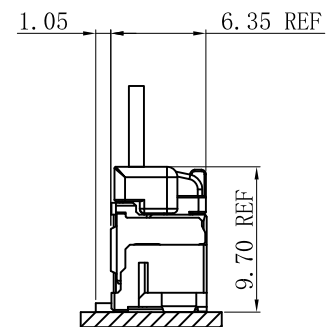
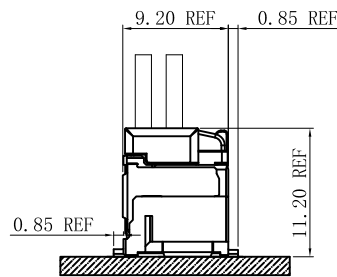
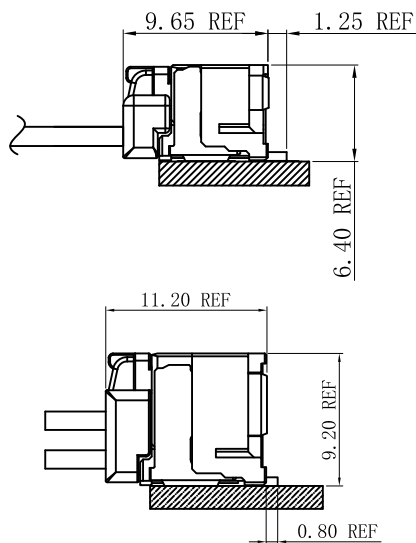


## Specifications

- Voltage rating: 100V AC, DC
- Current Rating: 2A, AC, DC
- Withstand voltage: 500V AC/minute
- Contact resistance: 20mΩ max
- Insulation resistance: 500MΩ min
- Temperature range: -40°C ~ +105°C
- Compliant with RoHS and REACH
- Contact JVT for details

## Assembly layout



**JVT1503 SERIES**

1.5mm pitch wire to board connector

**JVT1503H**

1.5mm Pitch housing

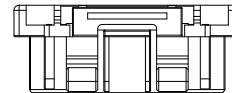
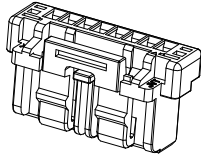
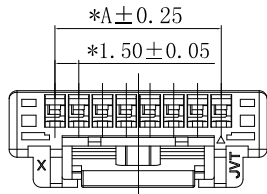
HOUSING

Part No. : JVT1503HNO-XXL

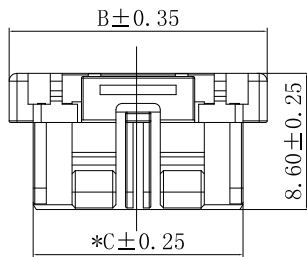
Material: PA66 UL94V-0

Mates With Part(s) : JVT1503 Terminal

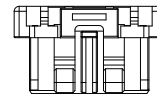
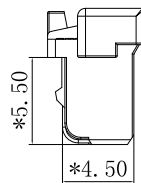
JVT1503HNO-XXL  
Logo \_\_\_\_\_  
Series NO. \_\_\_\_\_  
Housing \_\_\_\_\_  
L-Lock \_\_\_\_\_  
Pin NO. \_\_\_\_\_  
NO-PA66 UL94V-0



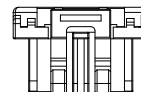
12~15PIN



08PIN



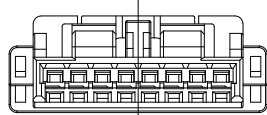
07~11PIN



06PIN

Poles	Dimensions (mm)		
	A	B	C
02	1.50	7.30	4.25
03	3.00	8.80	5.75
04	4.50	10.30	7.25
05	6.00	11.80	8.75
06	7.50	13.30	10.25
07	9.00	14.80	11.75
08	10.50	16.30	13.25
09	12.00	17.80	14.75
10	13.50	19.30	16.25
11	15.00	20.80	17.75
12	16.50	22.30	19.25
13	18.00	23.80	20.75
14	19.50	25.30	22.25
15	21.00	26.80	23.75

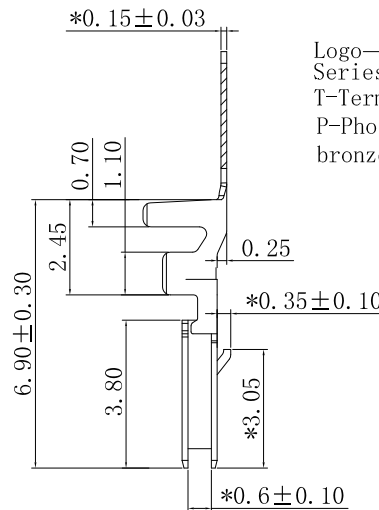
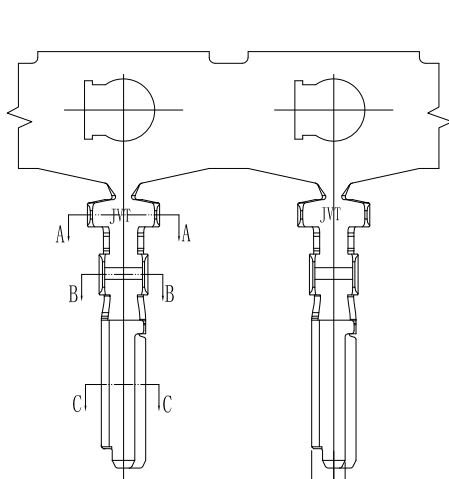
Unit:mm



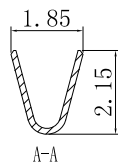
02~05PIN

**JVT1503T**

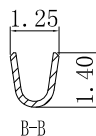
1.5mm Pitch Crimp Terminal



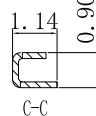
JVT1503TP-SNS  
Logo \_\_\_\_\_  
Series NO. \_\_\_\_\_  
T-Terminal \_\_\_\_\_  
P-Phosphor bronze \_\_\_\_\_  
S-Stamping before Plating \_\_\_\_\_  
SN-Tin Plated \_\_\_\_\_



A-A



B-B



C-C

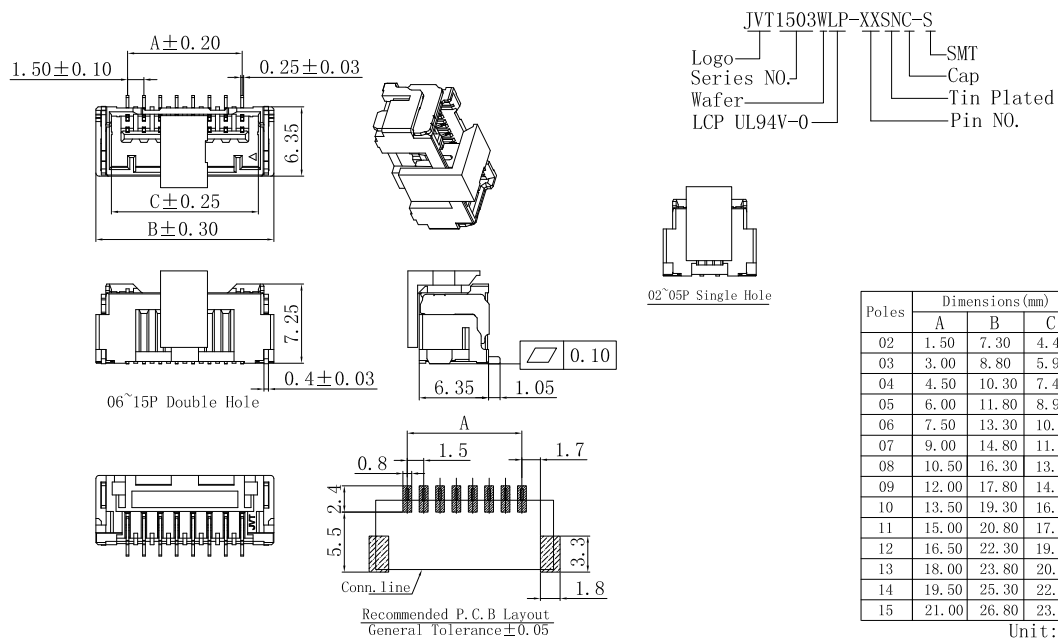
JVT1503TP-SNS	Phos Bronze	Tin Plated	AWG#24~28	1.40mm(Max)	JVT1503 HOUSING
PART NO	Material	Finish(Pin)	Wire Range	Insulation O.D.	Mates With Part(s)

**JVT1503 SERIES**

1.5mm pitch wire to board connector

**JVT1503W**

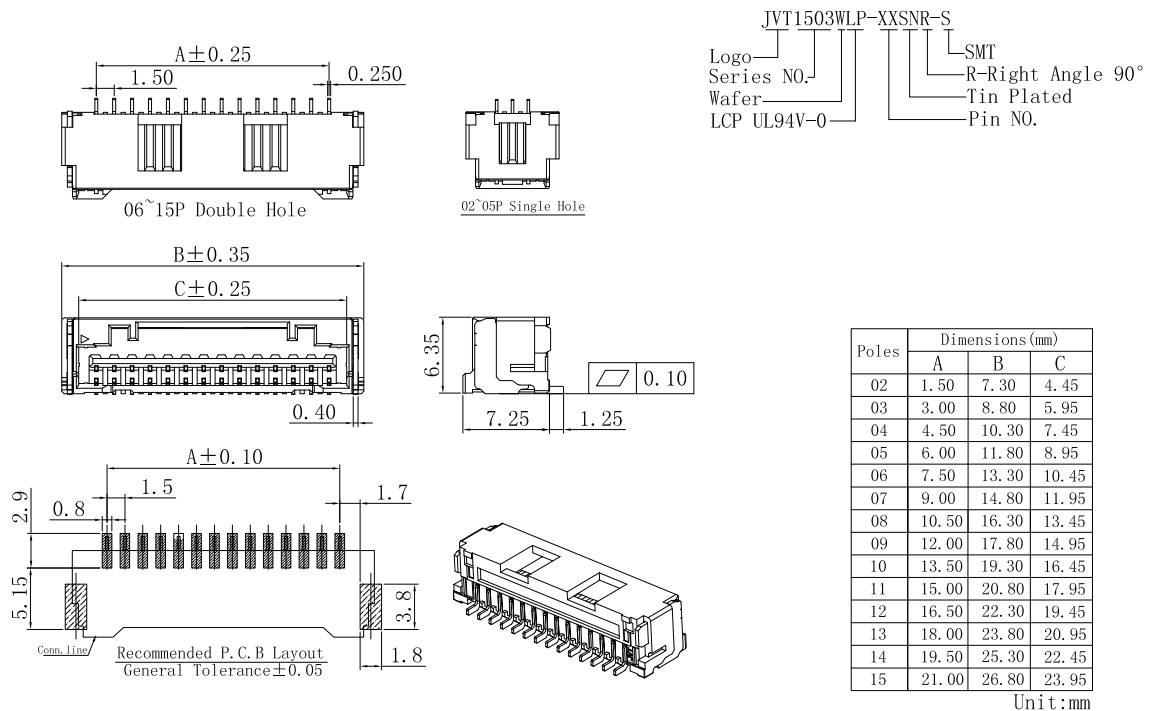
1.5mm Pitch Wafer-SMT TYPE



JVT1503WLP-XXSNC-S	LCP UL94V-0	Phos Bronze	Tin plated	Brass	Tin plated	JVT1503 Housing
PART NO	Material	Material(Pin)	Finish(Pin)	Material (Solder Tabs)	Finish (Solder Tabs)	Mates With Part(s)

**JVT1503WR**

1.5mm Pitch 90° Wafer-SMT TYPE



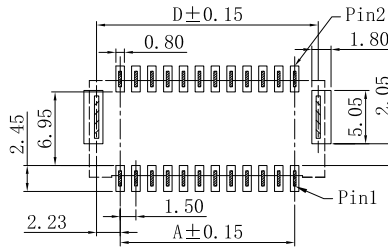
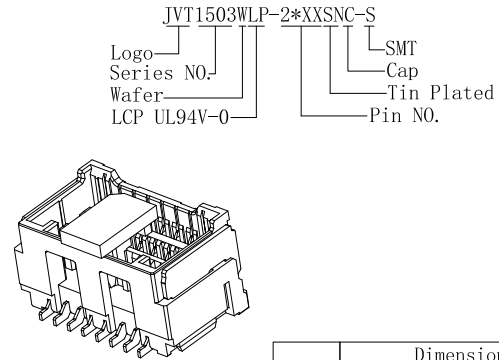
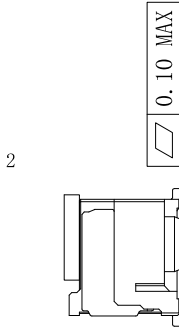
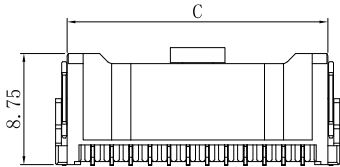
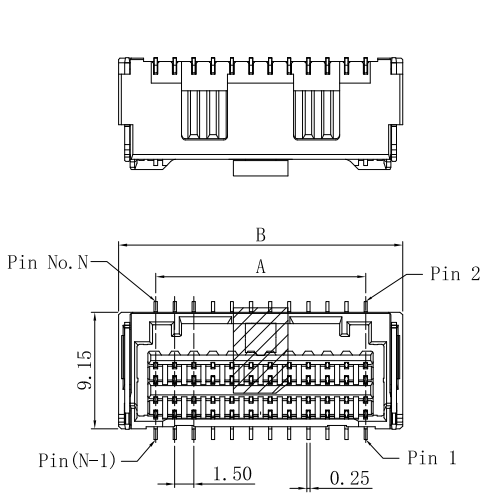
JVT1503WLP-XXSNR-S	LCP UL94V-0	Phos Bronze	Tin plated	Brass	Tin plated	JVT1503 Housing
PART NO	Material	Material(Pin)	Finish(Pin)	Material (Solder Tabs)	Finish (Solder Tabs)	Mates With Part(s)

**JVT1503 SERIES**

1.5mm pitch wire to board connector

JVT1503W

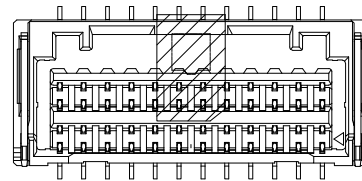
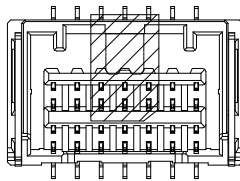
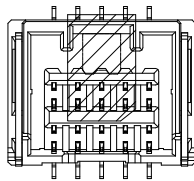
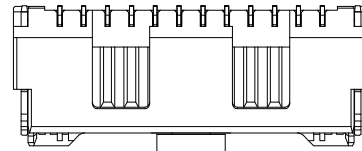
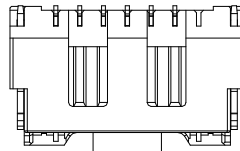
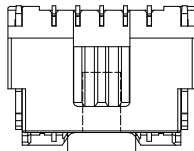
1.5mm Pitch Wafer-SMT TYPE



RECOMMENDED P. C. B LAYOUT  
(TOLERANCE: ± 0.05)

Poles	Dimensions (mm)			
	A	B	C	D
2*04	4.50	10.30	8.50	8.95
2*05	6.00	11.80	10.00	10.45
2*06	7.50	13.30	11.50	11.95
2*07	9.00	14.80	13.00	13.45
2*08	10.50	16.30	14.50	14.95
2*09	12.00	17.80	16.00	16.45
2*10	13.50	19.30	17.50	17.95
2*11	15.00	20.80	19.00	19.45
2*12	16.50	22.30	20.50	20.95
2*13	18.00	23.80	22.00	22.45
2*14	19.50	25.30	23.50	23.95

Unit:mm



2\*04P~2\*05P

2\*06P~2\*09P

2\*10P~2\*14P

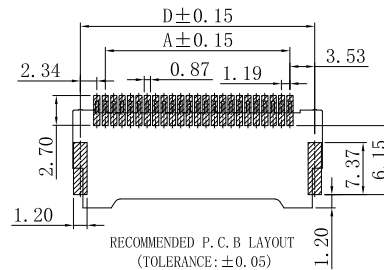
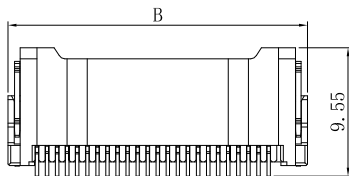
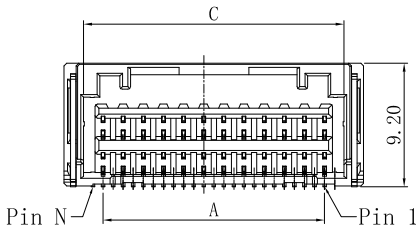
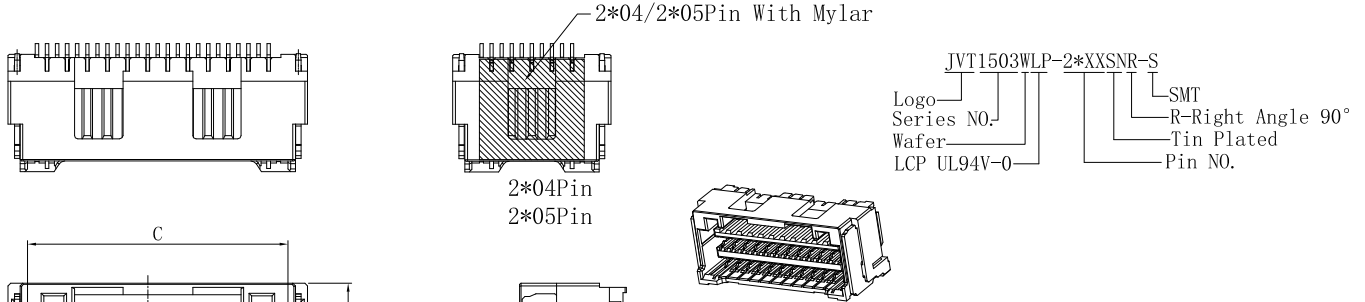
JVT1503WLP-2*XXSNC-S	LCP UL94V-0	Phos Bronze	Tin plated	Brass	Tin plated	JVT1503 Housing
PART NO	Material	Material(Pin)	Finish(Pin)	Material (Solder Tabs)	Finish (Solder Tabs)	Mates With Part(s)

**JVT1503 SERIES**

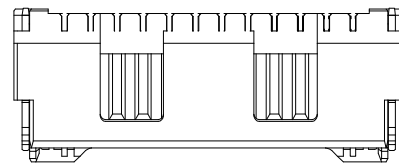
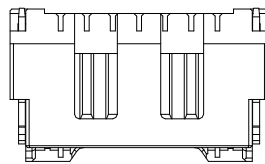
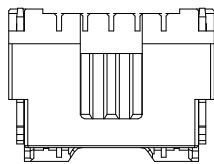
1.5mm pitch wire to board connector

JVT1503W

1.5mm Pitch 90° Wafer-SMT TYPE



Poles	Dimensions (mm)			
	A	B	C	D
04	4.50	10.30	7.40	8.95
05	6.00	11.80	8.90	10.45
06	7.50	13.30	10.40	11.95
07	9.00	14.80	11.90	13.45
08	10.50	16.30	13.40	14.95
09	12.00	17.80	14.90	16.45
10	13.50	19.30	16.40	17.95
11	15.00	20.80	17.90	19.45
12	16.50	22.30	19.40	20.95
13	18.00	23.80	20.90	22.45
14	19.50	25.30	22.40	23.95



2\*04P~2\*05P

2\*06P~2\*09P

2\*10P~2\*14P

JVT1503WLP-2*XXSNR-S	LCP UL94V-0	Phos Bronze	Tin plated	Brass	Tin plated	JVT1503 Housing
PART NO	Material	Material(Pin)	Finish(Pin)	Material (Solder Tabs)	Finish (Solder Tabs)	Mates With Part(s)

**JVT1503 SERIES**

1.5mm pitch wire to board connector

**JVT1503H**

1.5mm Pitch housing

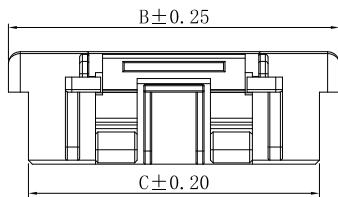
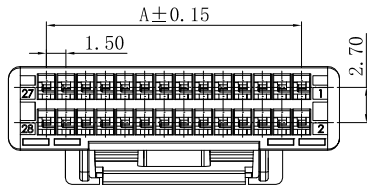
HOUSING

Part No. : JVT1503HXX-2\*XXL

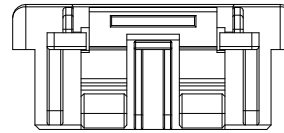
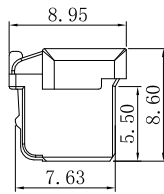
Material: PA66 or PBT UL94V-0

Mates With Part(s): JVT1503 Terminal

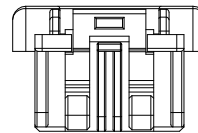
JVT1503HXX-2\*XXL  
 Logo  
 Series NO.  
 Housing  
 L-Lock  
 Pin NO.  
 NO-PA66 UL94V-0  
 PBT UL94V-0



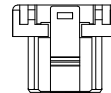
2\*06P~2\*15P Shape



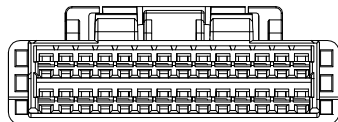
2\*10~2\*17P Shape



2\*06~2\*09P Shape



2\*04P~2\*05P Shape



Poles	Dimensions (mm)		
	A	B	C
04	4.50	10.30	7.25
05	6.00	11.80	8.75
06	7.50	13.30	10.25
07	9.00	14.80	11.75
08	10.50	16.30	13.25
09	12.00	17.80	14.75
10	13.50	19.30	16.25
11	15.00	20.80	17.75
12	16.50	22.30	19.25
13	18.00	23.80	20.75
14	19.50	25.30	22.25
15	21.00	26.80	23.75
16	22.50	28.30	25.25
17	24.00	29.80	26.75