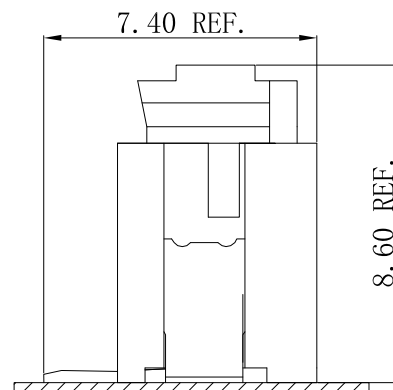
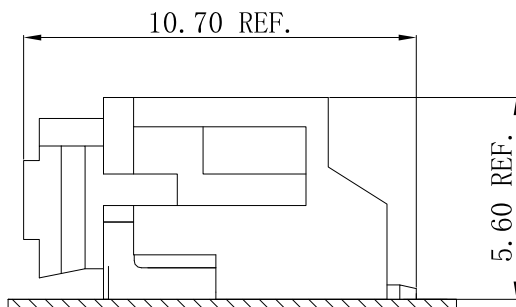


Specifications

- Voltage rating: 100V AC, DC
- Current Rating: 2A, AC, DC
- Withstand voltage: 800V AC/minute
- Contact resistance: 20mΩ max
- Insulation resistance: 1000MΩ min
- Temperature range: -40°C ~ +105°C
- Compliant with RoHS and REACH
- Contact JVT for details

Assembly layout



JVT1124/1125 SERIES

2.0mm pitch wire to board connector

JVT1124H

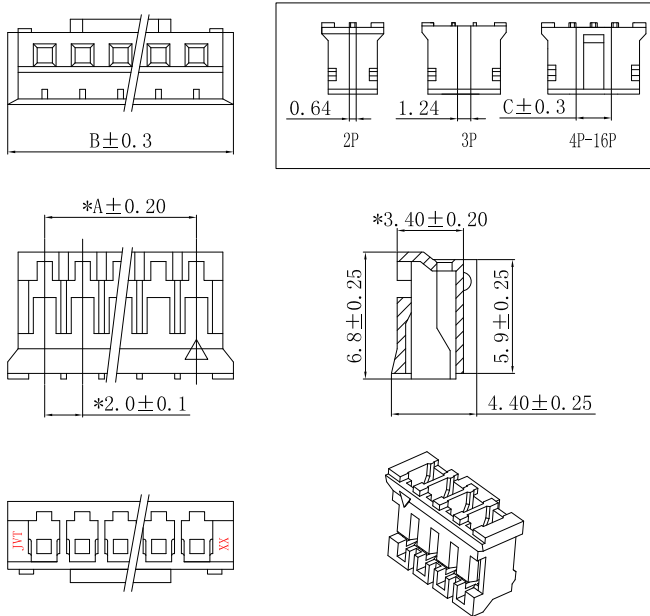
2.0mm Pitch housing

HOUSING

Part No.: JVT1124HNO-XX
Material: Nylon 66 UL94V-0
Mates With Part(s): JVT1124 Terminal

JVT1124HNO-XX

Logo
Series NO.
Housing
Pin NO.
N0-PA66 UL94V-0

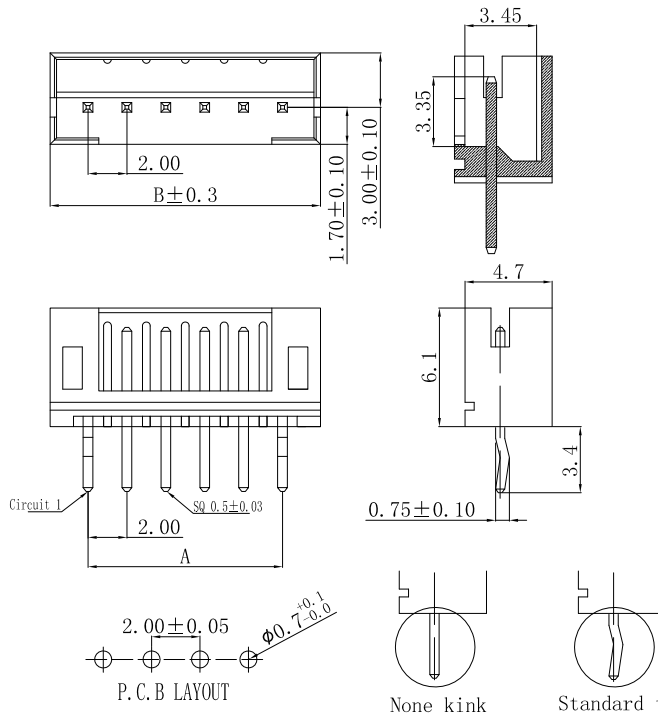


Poles	Dimension (mm)		
	A	B	C
02	2.00	5.80	—
03	4.00	7.80	—
04	6.00	9.80	3.3
05	8.00	11.80	5.3
06	10.00	13.80	7.3
07	12.00	15.80	9.3
08	14.00	17.80	11.3
09	16.00	19.80	13.3
10	18.00	21.80	15.3
11	20.00	23.80	17.3
12	22.00	25.80	19.3
13	24.00	27.80	21.3
14	26.00	29.80	23.3
15	28.00	31.80	25.3
16	30.00	33.80	27.3

Unit:mm

JVT1125W

2.0mm Pitch Wafer-DIP TYPE



JVT1125WNO-XXSNK-D

Logo
Series NO.
Wafer
PA66 UL94V-0
DIP
K-With kink
SN-Tin Plated
Pin NO.

Poles	Dimension (mm)	
	A	B
02	2.00	6.00
03	4.00	8.00
04	6.00	10.00
05	8.00	12.00
06	10.00	14.00
07	12.00	16.00
08	14.00	18.00
09	16.00	20.00
10	18.00	22.00
11	20.00	24.00
12	22.00	26.00
13	24.00	28.00
14	26.00	30.00
15	28.00	32.00
16	30.00	34.00

Unit:mm

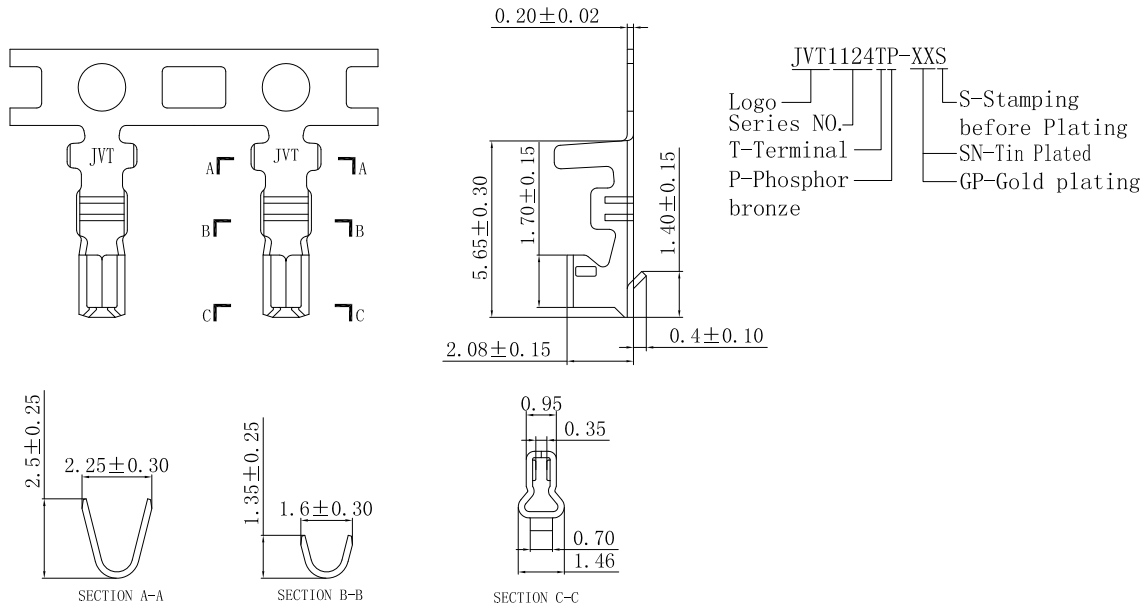
Standard type	JVT1125WNO-XXSNK-D	PA66 UL94V-0	Brass	Tin Plated	JVT1124 Housing
None kink	JVT1125WNO-XXSN-D				
K type	PART NO	Material	Material(Pin)	Finish(Pin)	Mates With Part(s)

JVT1124/1125 SERIES

2.0mm pitch wire to board connector

JVT1124T

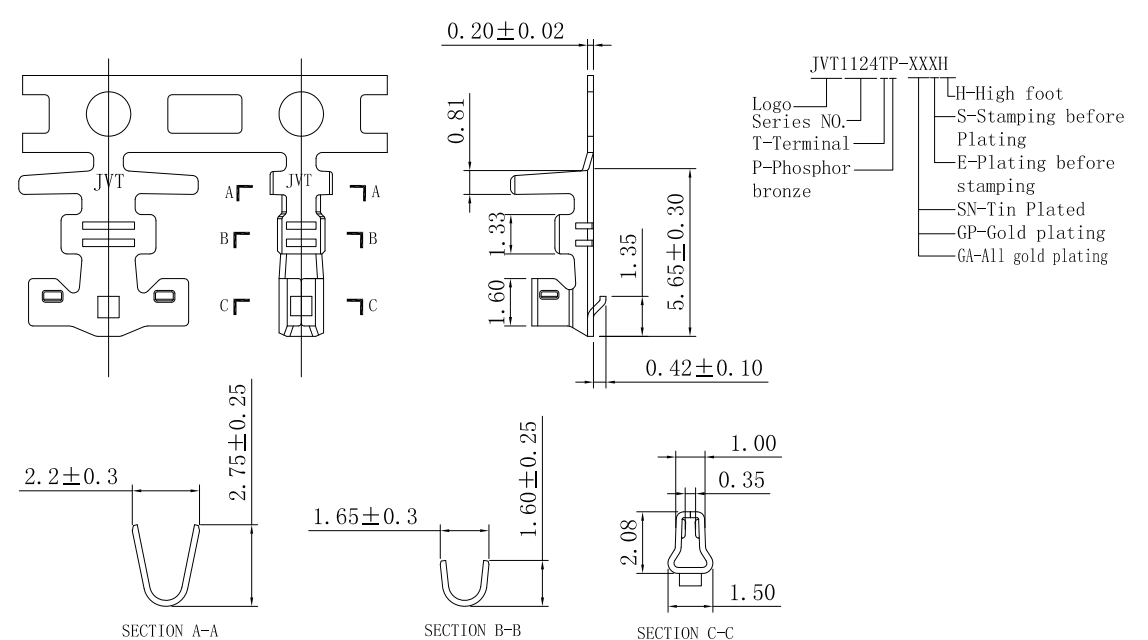
2.0mm Pitch Crimp Terminal



JVT1124TP-GPS	Phos Bronze	Half Gold	AWG#24~30	1.5mm(Max)	JVT1124 Housing
JVT1124TP-SNS		Tin Plated			
PART NO	Material	Finish(Pin)	Wire Range	Insulation O.D.	Mates With Part(s)

JVT1124T

2.0mm Pitch Crimp Terminal

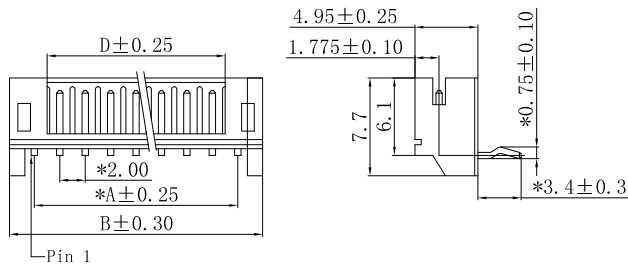
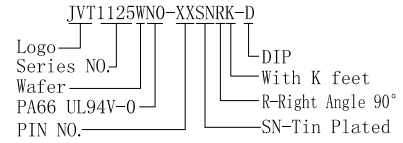
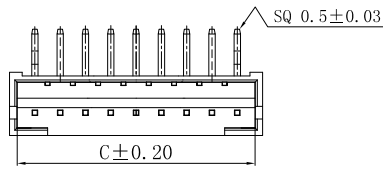


JVT1124TP-GASH	Phos Bronze	Gold plated	AWG#22~26	1.5mm(Max)	JVT1124 Housing
JVT1124TP-GPSH		Half Gold			
JVT1124TP-SNSH		Tin Plated			
PART NO	Material	Finish(Pin)	Wire Range	Insulation O.D.	Mates With Part(s)

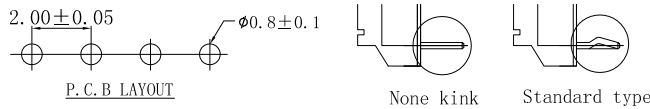
JVT1124/1125 SERIES

2.0mm pitch wire to board connector

JVT1125W — 2.0mm Pitch 90° Wafer-DIP TYPE



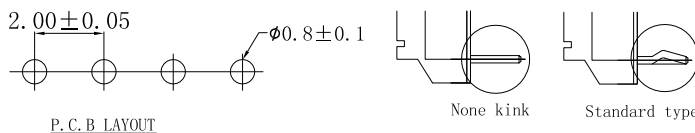
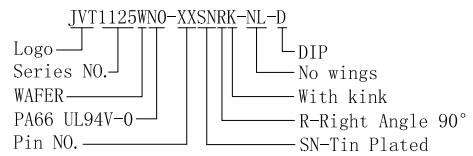
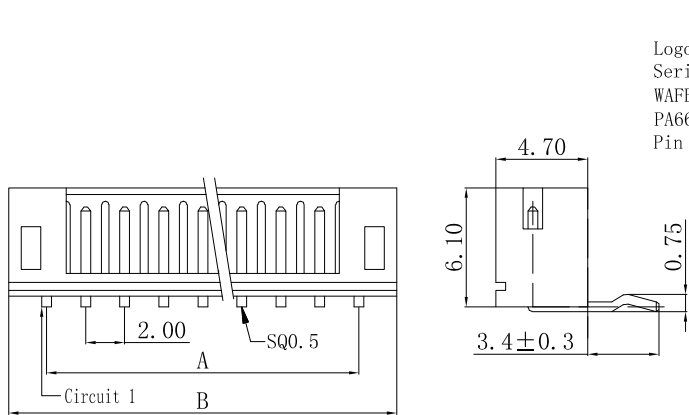
Poles	Dimensions (mm)			
	A	B	C	D
02	2.00	6.00	4.80	0.80
03	4.00	8.00	6.80	2.00
04	6.00	10.00	8.80	4.00
05	8.00	12.00	10.80	6.00
06	10.00	14.00	12.80	8.00
07	12.00	16.00	14.80	10.00
08	14.00	18.00	16.80	12.00
09	16.00	20.00	18.80	14.00
10	18.00	22.00	20.80	16.00
11	20.00	24.00	22.80	18.00
12	22.00	26.00	24.80	20.00
13	24.00	28.00	26.80	22.00
14	26.00	30.00	28.80	24.00
15	28.00	32.00	30.80	26.00
16	30.00	34.00	32.80	28.00



Unit:mm

Standard type	JVT1125WN0-XXSNRK-D	PA66 UL94V-0	Brass	Tin Plated	JVT1124 Housing
None kink	JVT1125WN0-XXSNR-D				
K type	PART NO	Material	Material(Pin)	Finish(Pin)	Mates With Part(s)

JVT1125W — 2.0mm Pitch 90° Wafer-DIP TYPE



Poles	Dimensions (mm)	
	A	B
02	2.00	6.00
03	4.00	8.00
04	6.00	10.00
05	8.00	12.00
06	10.00	14.00
07	12.00	16.00
08	14.00	18.00
09	16.00	20.00
10	18.00	22.00
11	20.00	24.00
12	22.00	26.00
13	24.00	28.00
14	26.00	30.00
15	28.00	32.00
16	30.00	34.00

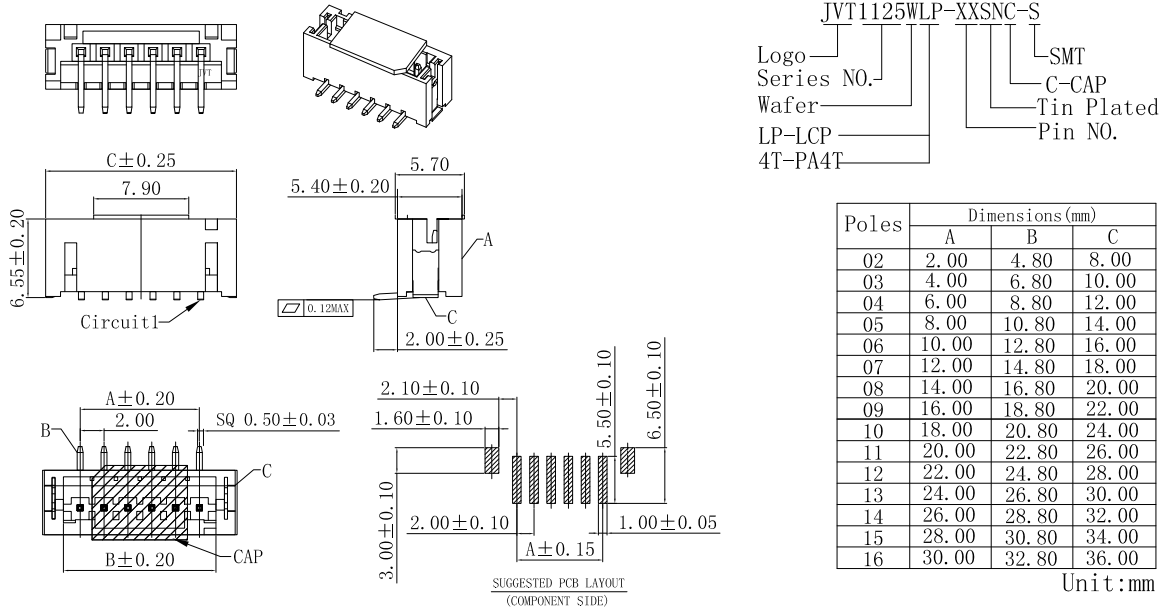
Unit:mm

Standard type	JVT1125WN0-XXSNRK-NL-D	PA66 UL94V-0	Brass	Tin Plated	JVT1124 Housing
None kink	JVT1125WN0-XXSNR-NL-D				
K type	PART NO	Material	Material(Pin)	Finish(Pin)	Mates With Part(s)

JVT1124/1125 SERIES

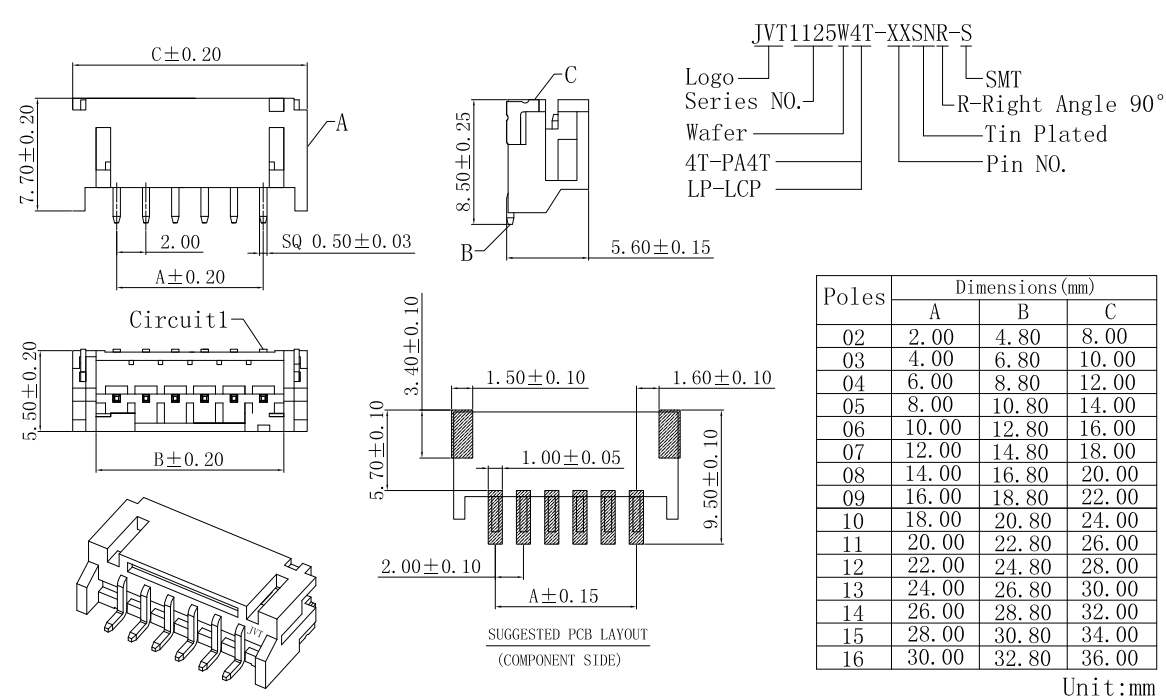
2.0mm pitch wire to board connector

JVT1125W — 2.0mm Pitch Wafer-SMT TYPE



JVT1125WLP-XXSNC-S	LCP UL94V-0	Brass	Tin Plated	Phos Bronze	Tin Plated	JVT1124 Housing
JVT1125W4T-XXSNC-S	PA4T UL94V-0					
PART NO	Material	Material(Pin)	Finish(Pin)	Material (Solder Tabs)	Finish (Solder Tabs)	Mates With Part(s)

JVT1125W — 2.0mm Pitch 90° Wafer-SMT TYPE



JVT1125WLP-XXSNC-S	LCP UL94V-0	Brass	Tin Plated	Phos Bronze	Tin Plated	JVT1124 Housing
JVT1125W4T-XXSNC-S	PA4T UL94V-0					
PART NO	Material	Material(Pin)	Finish(Pin)	Material (Solder Tabs)	Finish (Solder Tabs)	Mates With Part(s)