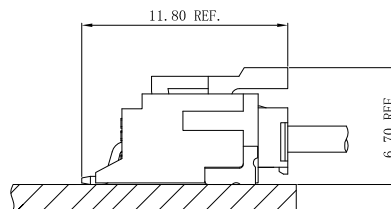
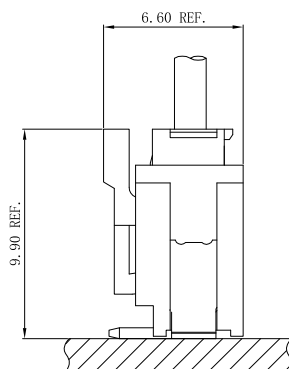


## Specifications

- Voltage rating: 250V AC, DC
- Current Rating: 2A AC/DC (3A 22AWG)
- Withstand voltage: 1000V AC/minute
- Contact resistance: 50mΩ max
- Insulation resistance: 1000mΩ min
- Temperature range: -40°C ~ +105°C
- Compliant with RoHS and REACH
- Contact JVT for details

## Assembly layout



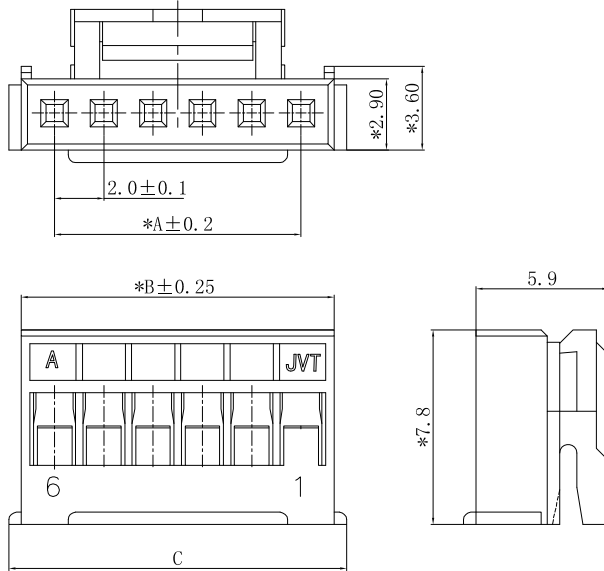
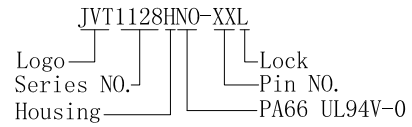
**JVT1128/1129 SERIES** 2.0mm pitch wire to board connector

**JVT1128H**

2.0mm Pitch housing

HOUSING

Part No. : JVT1128HNO-XXL  
Material: Nylon 66 UL94V-0  
Mates With Part(s): JVT1128 Terminal

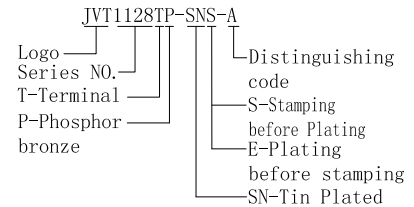
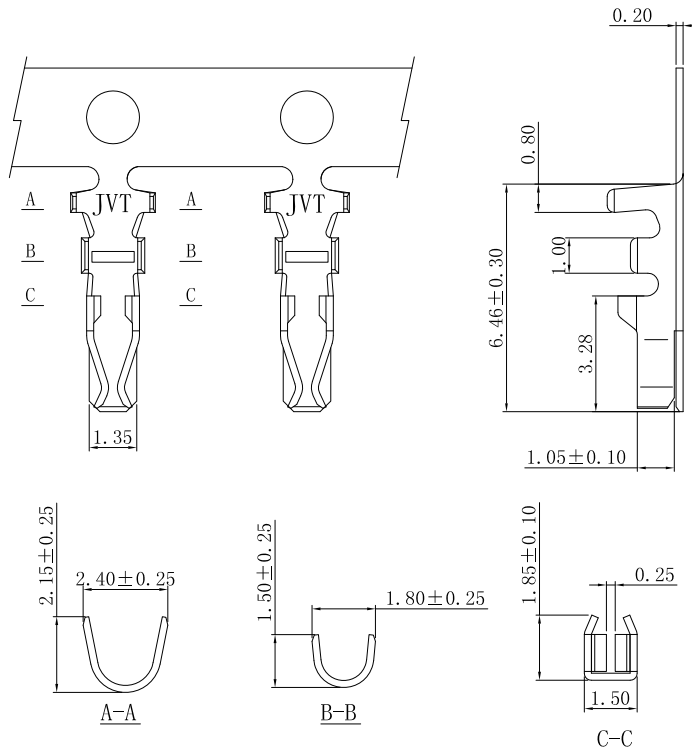


Poles	Dimension (mm)			
	A	B	C	D
02	2.0	4.6	5.6	3.2
03	4.0	6.6	7.6	4.0
04	6.0	8.6	9.6	5.0
05	8.0	10.6	11.6	6.2
06	10.0	12.6	13.6	8.2
07	12.0	14.6	15.6	10.2
08	14.0	16.6	17.6	12.2
09	16.0	18.6	19.6	14.2
10	18.0	20.6	21.6	16.2
11	20.0	22.6	23.6	16.2
12	22.0	24.6	25.6	16.2
13	24.0	26.6	27.6	16.2
14	26.0	28.6	29.6	16.2
15	28.0	30.6	31.6	16.2
16	30.0	32.6	33.6	16.2

Unit:mm

**JVT1128T**

2.0mm Pitch Crimp Terminal

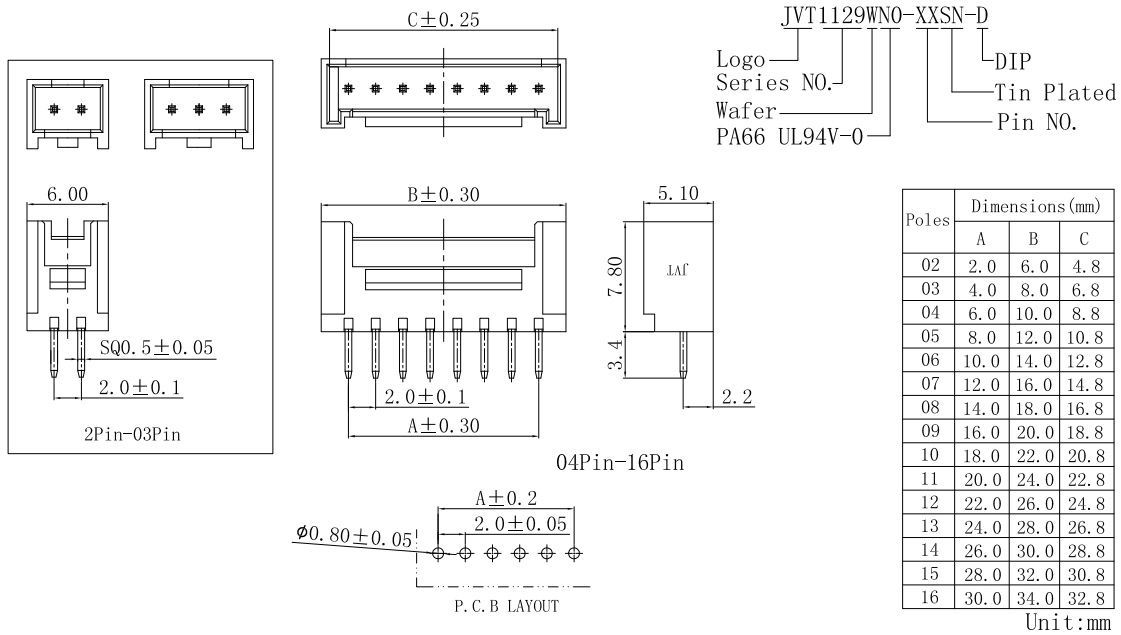


JVT1128TP-SNS-A	Phos Bronze	Tin Plated	AWG#22~28	1.6mm(Max)	JVT1128 Housing
PART NO	Material	Finish(Pin)	Wire Range	Insulation O.D.	Mates With Part(s)

**JVT1128/1129 SERIES** 2.0mm pitch wire to board connector

**JVT1129W**

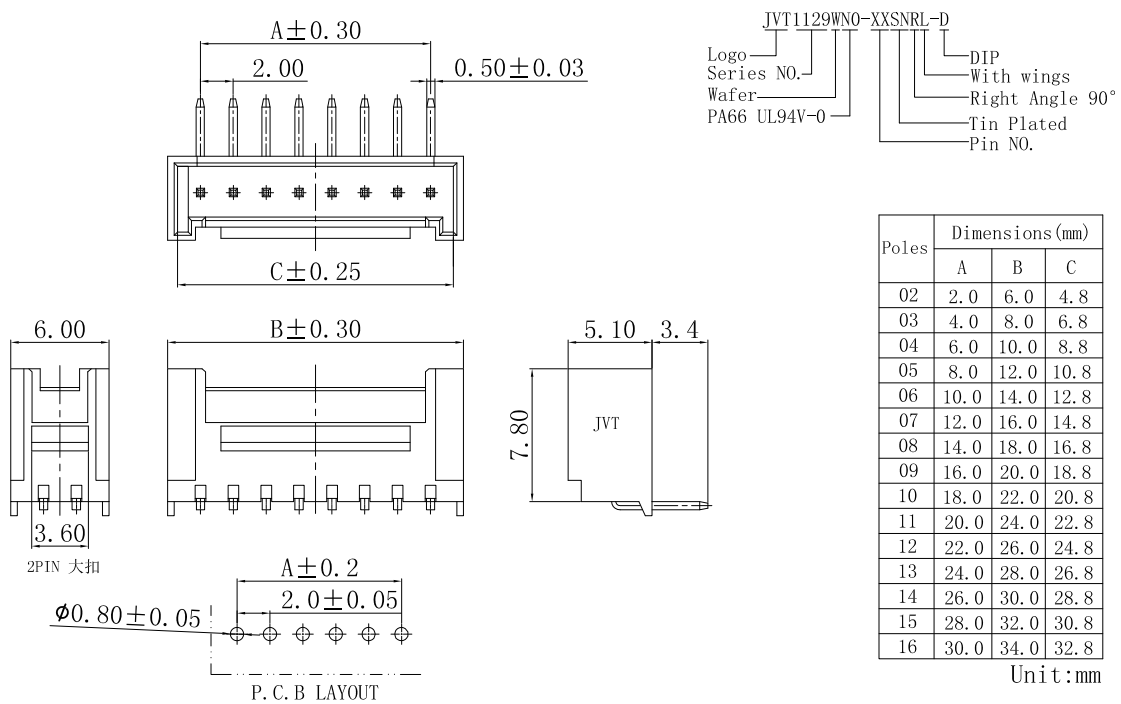
2.0mm Pitch Wafer-DIP TYPE



JVT1129WN0-XXSN-D	PA66 UL94V-0	Brass	Tin Plated	JVT1128 Housing
PART NO	Material	Material(Pin)	Finish(Pin)	Mates With Part(s)

**JVT1129W**

2.0mm Pitch 90° Wafer-DIP TYPE

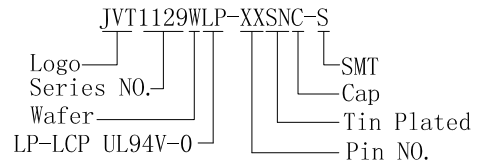
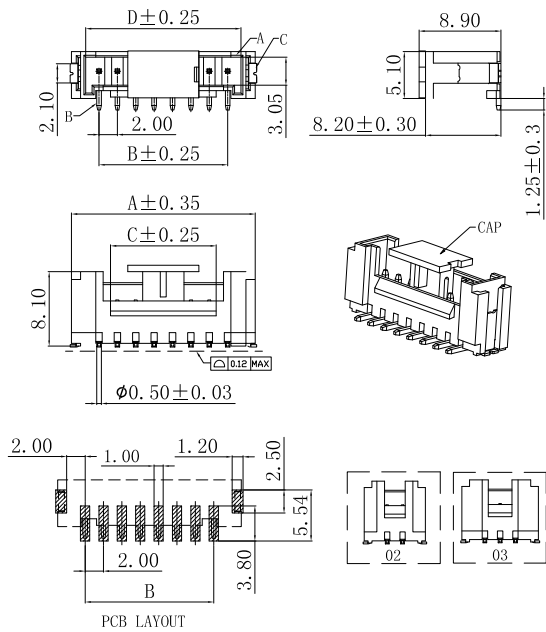


JVT1129WN0-XXSNRL-D	PA66 UL94V-0	Brass	Tin Plated	JVT1128 Housing
PART NO	Material	Material(Pin)	Finish(Pin)	Mates With Part(s)

**JVT1128/1129 SERIES** 2.0mm pitch wire to board connector

**JVT1129W**

2.0mm Pitch Wafer-SMT TYPE



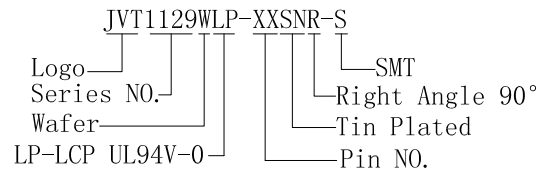
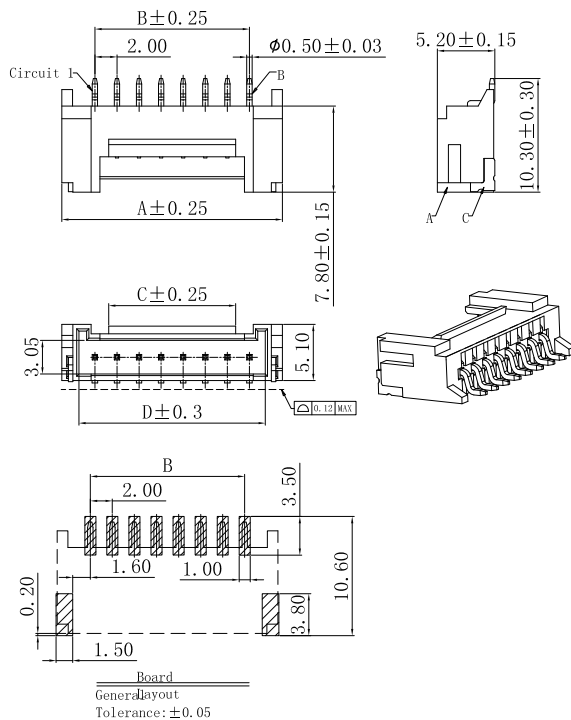
Poles	Dimensions (mm)			
	A	B	C	D
02	8.00	2.00	2.70	4.75
03	10.00	4.00	2.70	6.75
04	12.00	6.00	3.50	8.90
05	14.00	8.00	5.50	10.90
06	16.00	10.00	7.50	12.90
07	18.00	12.00	9.50	14.90
08	20.00	14.00	11.50	16.90
09	22.00	16.00	13.50	18.90
10	24.00	18.00	15.50	20.90
11	26.00	20.00	15.50	22.90
12	28.00	22.00	15.50	24.90
13	30.00	24.00	15.50	26.90
14	32.00	26.00	15.50	28.90
15	34.00	28.00	15.50	30.90
16	36.00	30.00	15.50	32.90

Unit:mm

JVT1129WLP-XXSNC-S	LCP UL94V-0	Brass	Tin Plated	Phos Bronze	Tin Plated	JVT1128 Housing
PART NO	Material	Material(Pin)	Finish(Pin)	Material (Solder Tabs)	Finish (Solder Tabs)	Mates With Part(s)

**JVT1129W**

2.0mm Pitch 90°Wafer-SMT TYPE



Poles	Dimensions (mm)			
	A	B	C	D
02	8.00	2.00	2.70	4.75
03	10.00	4.00	2.70	6.75
04	12.00	6.00	3.50	8.90
05	14.00	8.00	5.50	10.90
06	16.00	10.00	7.50	12.90
07	18.00	12.00	9.50	14.90
08	20.00	14.00	11.50	16.90
09	22.00	16.00	13.50	18.90
10	24.00	18.00	15.50	20.90
11	26.00	20.00	15.50	22.90
12	28.00	22.00	15.50	24.90
13	30.00	24.00	15.50	26.90
14	32.00	26.00	15.50	28.90
15	34.00	28.00	15.50	30.90
16	36.00	30.00	15.50	32.90

Unit:mm

JVT1129WLP-XXSNR-S	LCP UL94V-0	Brass	Tin Plated	Brass	Tin Plated	JVT1128 Housing
PART NO	Material	Material(Pin)	Finish(Pin)	Material (Solder Tabs)	Finish (Solder Tabs)	Mates With Part(s)