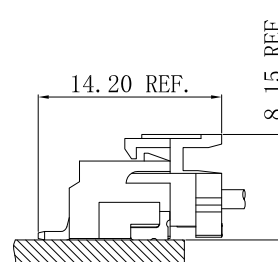
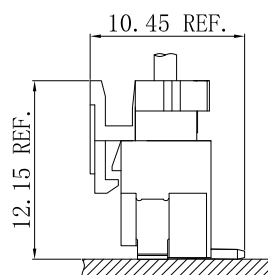
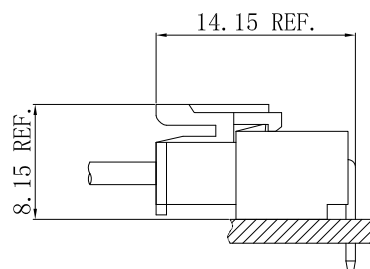
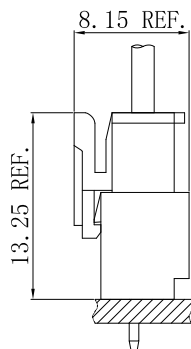


Specifications

- Voltage rating: 250V AC, DC
- Current Rating: 3A, AC, DC
- Withstand voltage: 1000V AC/minute
- Contact resistance: 20mΩ max
- Insulation resistance: 1000mΩ min
- Temperature range: -40°C ~ +105°C
- *Suitable JVT2501T series Terminal
JVT2502W series Wafer
- Compliant with RoHS and REACH
Contact JVT for details

Assembly layout



JVT2501H

2.5mm Pitch housing

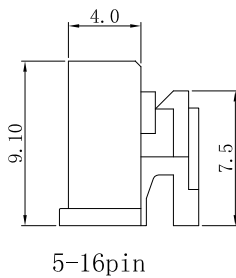
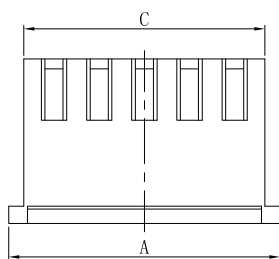
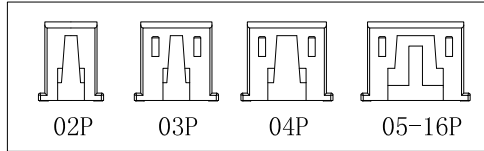
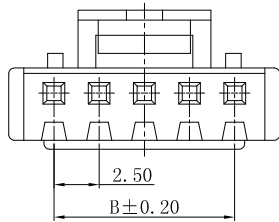
HOUSING

Part No.: JVT2501HN0-XXXX-A

Material: PA66 UL 94V-0 Glow Wire750°C

Mates With Part(s): JVT2501 Terminal

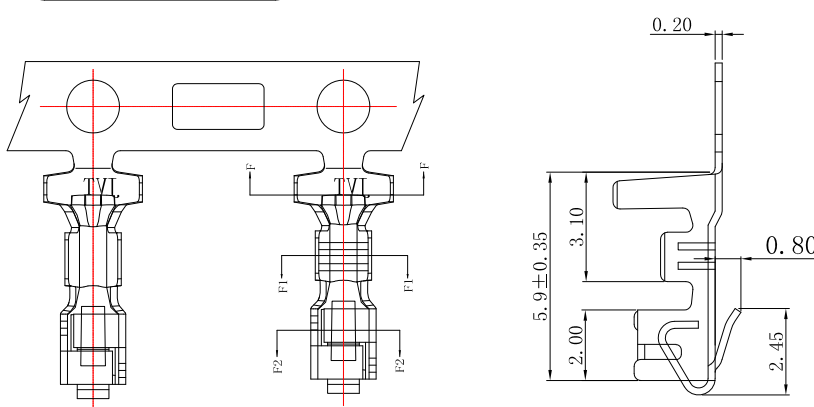
JVT2501HN0-XXXX-A
Logo
Series NO.
Housing
PA66 UL94V-0
Blank-natural color
BK-Black
Pin NO.



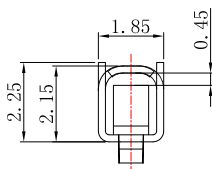
Poles	Dimensions (mm)			Poles	Dimensions (mm)		
	A	B	C		A	B	C
02	7.25	2.50	5.75	10	27.25	22.50	25.75
03	9.75	5.00	8.25	11	29.75	25.00	28.25
04	12.25	7.50	10.75	12	32.25	27.50	30.75
05	14.75	10.00	13.25	13	34.75	30.00	33.25
06	17.25	12.50	15.75	14	37.25	32.50	35.75
07	19.75	15.00	18.25	15	39.75	35.00	38.25
08	22.25	17.50	20.75	16	42.25	37.50	40.75
09	24.75	20.00	23.25	17	44.75	40.00	43.25

JVT2501T

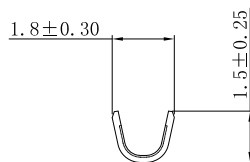
2.5mm Pitch Crimp Terminal



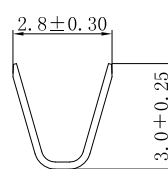
JVT2501TP-XXS
Logo
Series NO.
T-Terminal
P-Phosphor bronze
S-Stamping before Plating
E-Plating before stamping
SN-Tin Plated
GA-All gold plating



SECTION F2-F2



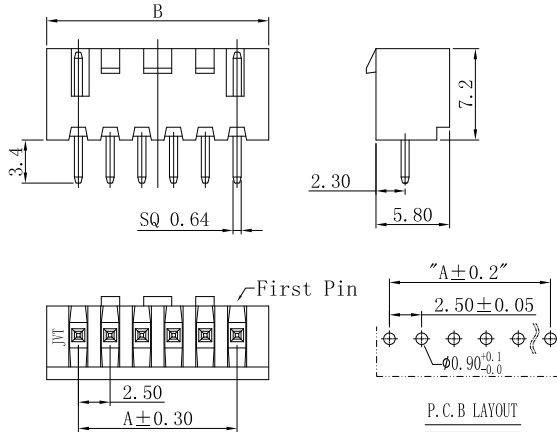
SECTION F1-F1



SECTION F-F

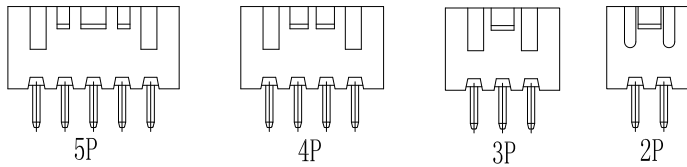
JVT2501TP-SNS-01	Phos Bronze	Tin Plated	AWG#22~30	1.9mm(Max)	JVT2501 HOUSING
JVT2501TP-GAS-01		All gold plating			
PART NO	Material	Finish(Pin)	Wire Range	Insulation O.D.	Mates With Part(s)

JVT2502W — 2.5mm Pitch Wafer-DIP TYPE



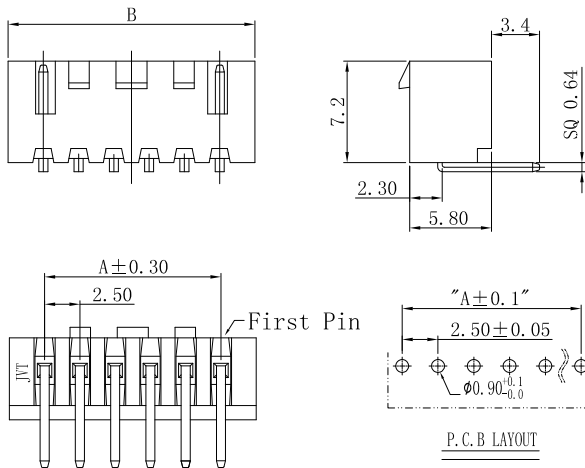
JVT2502WNO-XXSN-D
 Logo —
 Series NO. —
 Wafer — PA66 UL94V-0
 D-DIP —
 SN-Tin Plated —
 Pin NO. —

Poles	DIM	
	A	B
02	2.50	7.5
03	5.00	10.0
04	7.50	12.5
05	10.00	15.0
06	12.50	17.5
07	15.00	20.0
08	17.50	22.5
09	20.00	25.0
10	22.50	27.5
11	25.00	30.0
12	27.50	32.5
13	30.00	35.0
14	32.50	37.5
15	35.00	40.0
16	37.50	42.5
17	40.00	45.0



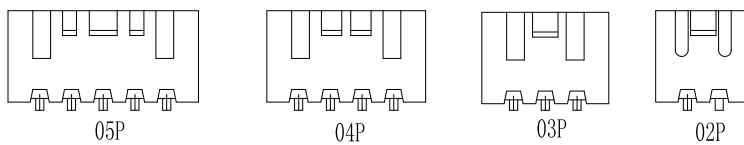
JVT2502WNO-XXSN-D	PA66 UL94V-0	Brass	Tin Plated	JVT2501 Housing
PART NO	Material	Material(Pin)	Finish(Pin)	Mates With Part(s)

JVT2502W — 2.5mm Pitch 90°Wafer-DIP TYPE



JVT2502WNO-XXSNR-D
 Logo —
 Series NO. —
 Wafer — PA66 UL94V-0
 D-DIP —
 R-Right Angle 90° —
 SN-Tin Plated —
 Pin NO. —

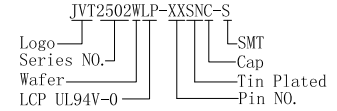
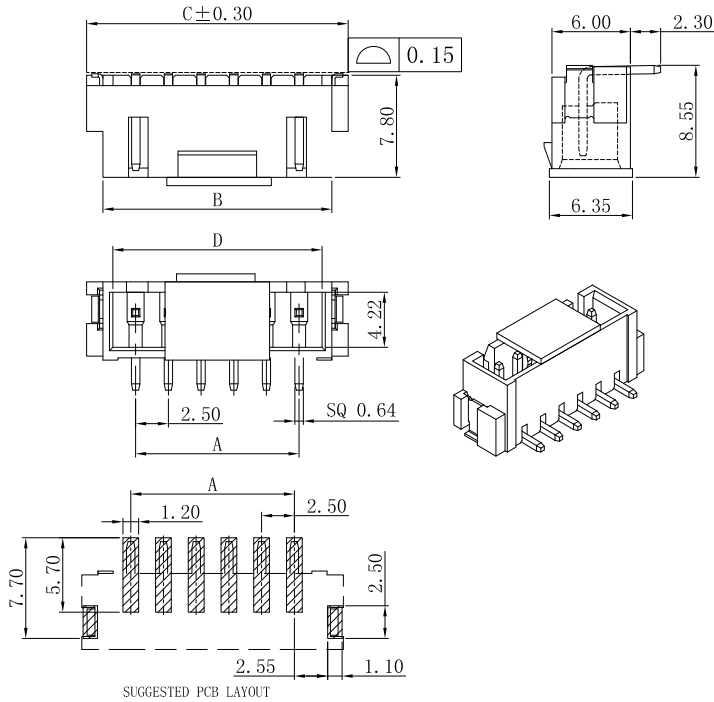
Poles	DIM	
	A	B
02	2.50	7.5
03	5.00	10.0
04	7.50	12.5
05	10.00	15.0
06	12.50	17.5
07	15.00	20.0
08	17.50	22.5
09	20.00	25.0
10	22.50	27.5
11	25.00	30.0
12	27.50	32.5
13	30.00	35.0
14	32.50	37.5
15	35.00	40.0
16	37.50	42.5
17	40.00	45.0



JVT2502WNO-XXSNR-D	PA66 UL94V-0	Brass	Tin Plated	JVT2501 Housing
PART NO	Material	Material(Pin)	Finish(Pin)	Mates With Part(s)

JVT2502W

2.5mm Pitch Wafer-SMT TYPE

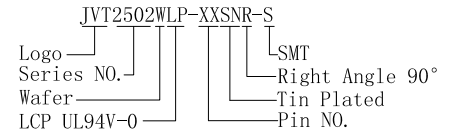
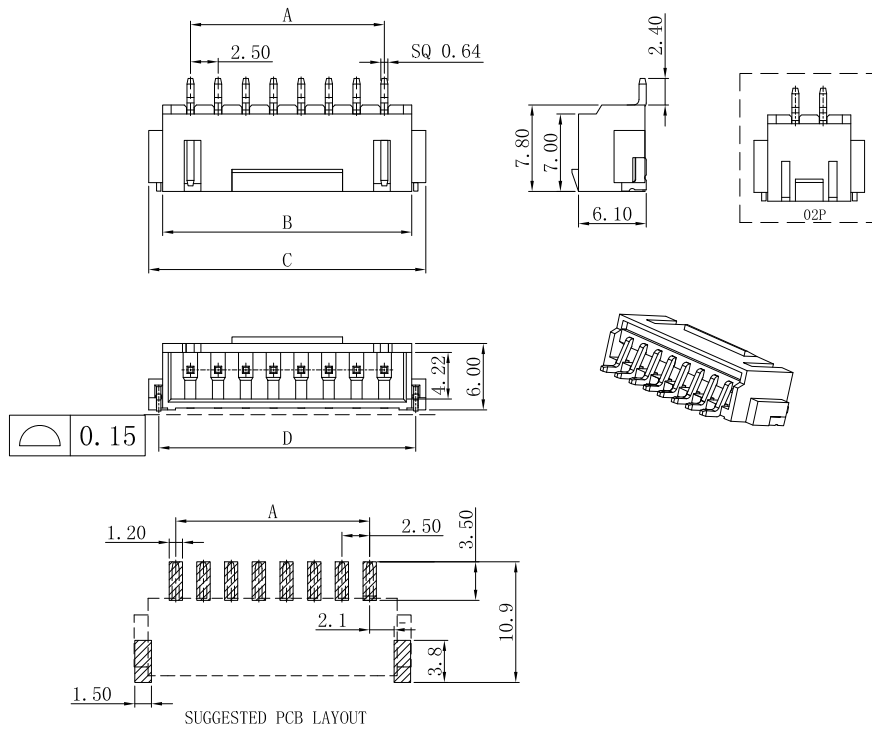


Circuit	Dimensions (mm)			
	A	B	C	D
02	2.50	7.50	10.00	6.00
03	5.00	10.00	12.50	8.50
04	7.50	12.50	15.00	11.00
05	10.00	15.00	17.50	13.50
06	12.50	17.50	20.00	16.00
07	15.00	20.00	22.50	18.50
08	17.50	22.50	25.00	21.00
09	20.00	25.00	27.50	23.50
10	22.50	27.50	30.00	26.00
11	25.00	30.00	32.50	28.50
12	27.50	32.50	35.00	31.00
13	30.00	35.00	37.50	33.50
14	32.50	37.50	40.00	36.00
15	35.00	40.00	42.50	38.50
16	37.50	42.50	45.00	41.00

JVT2502WLP-XXSNC-S	LCP UL94V-0	Brass	Tin Plated	JVT2501 Housing
PART NO	Material	Material (Pin)	Finish (Pin)	Mates With Part(s)

JVT2502W

2.5mm Pitch 90°Wafer-SMT TYPE



Circuit	Dimensions (mm)			
	DIM. A	DIM. B	DIM. C	DIM. D
02	2.50	7.50	10.00	8.20
03	5.00	10.00	12.50	10.70
04	7.50	12.50	15.00	13.20
05	10.00	15.00	17.50	15.70
06	12.50	17.50	20.00	18.20
07	15.00	20.00	22.50	20.70
08	17.50	22.50	25.00	23.20
09	20.00	25.00	27.50	25.70
10	22.50	27.50	30.00	28.20
11	25.00	30.00	32.50	30.70
12	27.50	32.50	35.00	33.20
13	30.00	35.00	37.50	35.70
14	32.50	37.50	40.00	38.20
15	35.00	40.00	42.50	40.70
16	37.50	42.50	45.00	43.20

JVT2502WLP-XXSNR-S	LCP UL94V-0	Brass	Tin Plated	JVT2501 Housing
PART NO	Material	Material (Pin)	Finish (Pin)	Mates With Part(s)