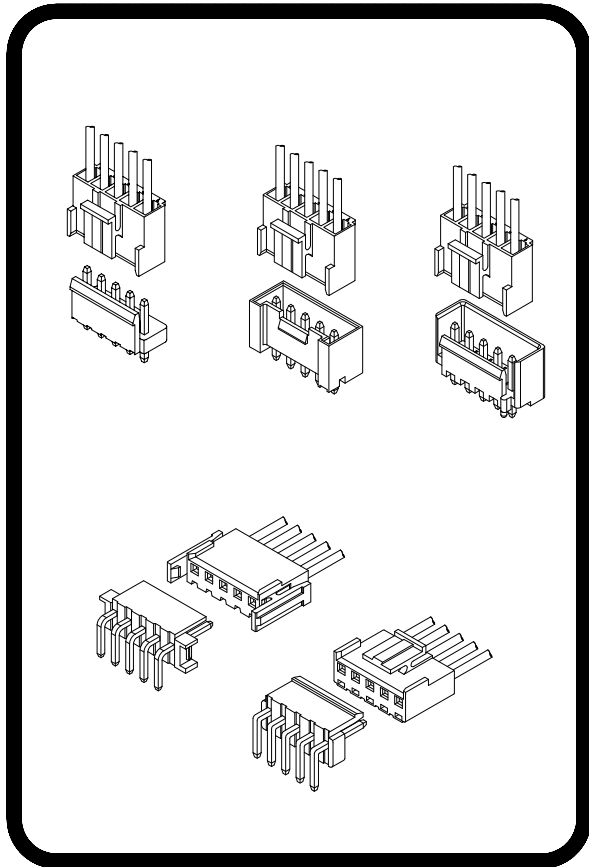
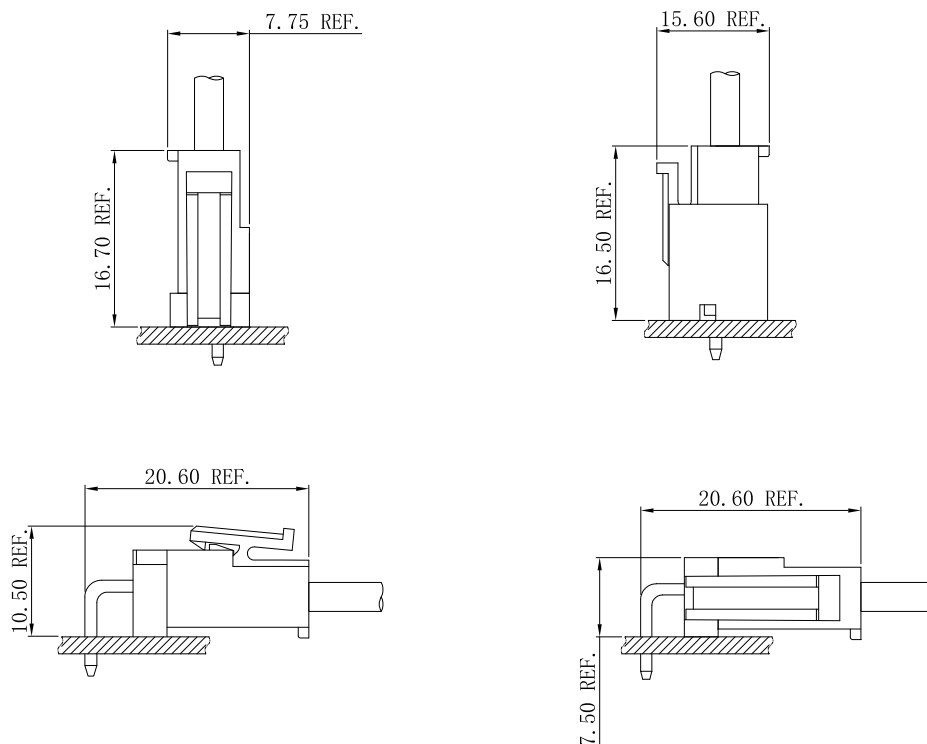


Specifications

- Voltage rating: 250V AC, DC
- Current Rating: 10A, AC, DC
- Withstand voltage: 1500V AC/minute
- Contact resistance: 20mΩ max
- Insulation resistance: 1000mΩ min
- Temperature range: -40°C ~ +105°C
- Compliant with RoHS and REACH
- Contact JVT for details



Assembly layout



JVT1121H

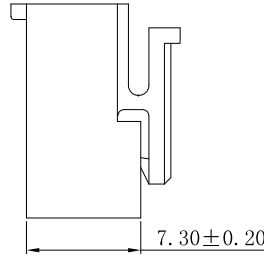
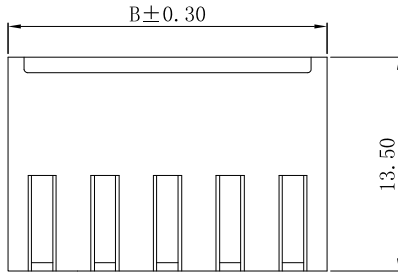
3.96mm Pitch housing

HOUSING

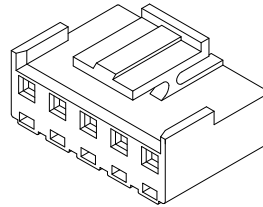
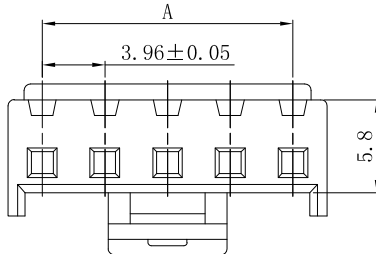
Part No.: JVT1121HNO-XX

Material: Nylon 66 UL94V-0

Mates With Part(s): JVT1121 Terminal



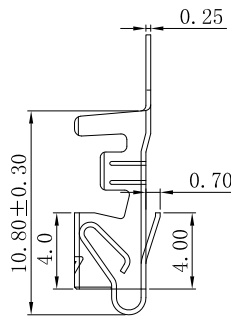
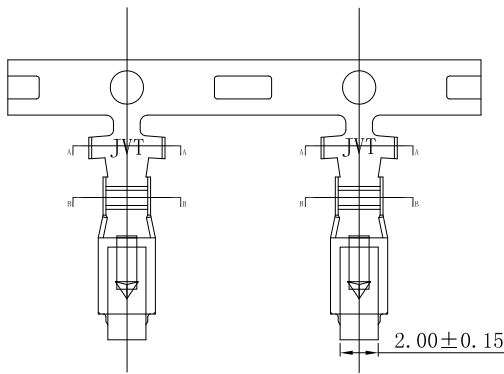
JVT1121HNO-XX
Logo
Series NO.
Housing
PA66 UL94V-0
Pin NO.



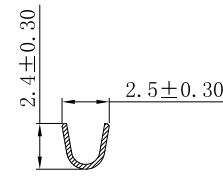
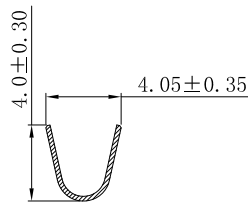
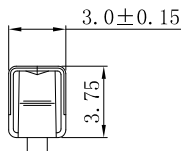
Poles	Dimensions (mm)	
	A	B
2	3.96	8.32
3	7.92	12.28
4	11.88	16.24
5	15.84	20.20
6	19.80	24.16
7	23.76	28.12
8	27.72	32.08
9	31.68	36.04
10	35.64	40.00
11	39.60	43.96
12	43.56	47.92
13	47.52	51.88
14	51.48	55.84
15	55.44	59.80
16	59.40	63.76

JVT1121T

3.96mm Pitch Crimp Terminal



JVT1121TP-SNS
Logo
Series NO.
T-Terminal
P-Phosphor
bronze
S-Stamping
before Plating
SN-Tin Plated



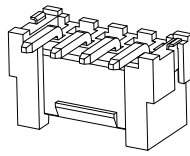
SECTION A-A

SECTION B-B

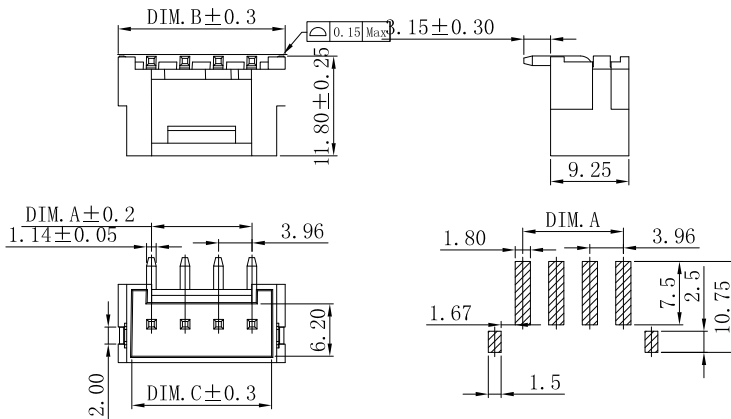
JVT1121TP-SNS	Phos Bronze	Tin Plated	AWG#18~22	2.8mm(Max)	JVT1121 HOUSING
PART NO	Material	Finish(Pin)	Wire Range	Insulation O.D.	Mates With Part(s)

JVT1120W

3.96mm Pitch Wafer-SMT TYPE



JVT1120W9T-XXSN-S
Logo Series NO. Wafer 9T-PA9T UL94V-0 SMT SN-Tin Plated PIN NO.



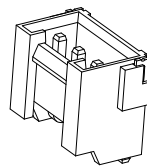
PCB LAYOUT

Circuits	Dimensions (mm)		
	DIM. A	DIM. B	DIM. C
02	3.96	11.80	8.60
03	7.92	15.76	12.56
04	11.88	19.72	16.52
05	15.84	23.68	20.48
06	19.80	27.64	24.44
07	23.76	31.60	28.40
08	27.72	35.56	32.36
09	31.68	39.52	36.32
10	35.64	43.48	40.28
11	39.60	47.44	44.24
12	43.56	51.40	48.20
13	47.52	55.36	52.16
14	51.48	59.32	56.12
15	55.44	63.28	60.08
16	59.40	67.24	64.04

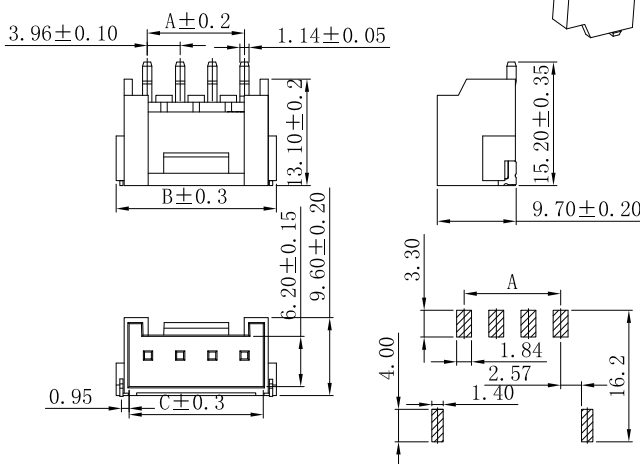
JVT1120W9T-XXSN-S	PA9T UL94V-0	Brass	Tin Plated	Phosphor Bronze	JVT1121 Housing
PART NO	Material	Material(Pin)	Finish(Pin)	Material (Solder Tabs)	Mates With Part(s)

JVT1120W

3.96mm Pitch 90° Wafer-SMT TYPE



JVT1120W9T-XXSNR-S
Logo Series NO. Wafer 9T-PA9T UL94V-0 SMT R-Right Angle 90° SN-Tin Plated PIN NO.



PCB LAYOUT

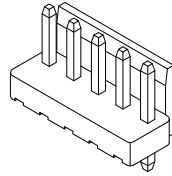
Circuits	Dimensions (mm)		
	A	B	C
02	3.96	11.80	8.60
03	7.92	15.76	12.56
04	11.88	19.72	16.52
05	15.84	23.68	20.48
06	19.80	27.64	24.44
07	23.76	31.60	28.40
08	27.72	35.56	32.36
09	31.68	39.52	36.32
10	35.64	43.48	40.28
11	39.60	47.44	44.24
12	43.56	51.40	48.20
13	47.52	55.36	52.16
14	51.48	59.32	56.12
15	55.44	63.28	60.08
16	59.40	67.24	64.04

JVT1120W9T-XXSNR-S	PA9T UL94V-0	Brass	Tin Plated	Phosphor Bronze	JVT1121 Housing
PART NO	Material	Material(Pin)	Finish(Pin)	Material (Solder Tabs)	Mates With Part(s)

JVT1120/1121 SERIES 3.96mm pitch wire to board connector

JVT1120W

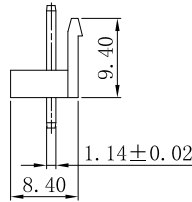
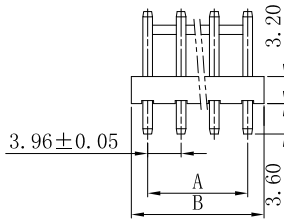
3.96mm Pitch Wafer-DIP TYPE



JVT1120WXX-XXSN-D

Logo
Series NO.
Wafer
PA66 UL94V-0
PA66 UL94V-2

DIP
SN-Tin Plated
PIN NO.

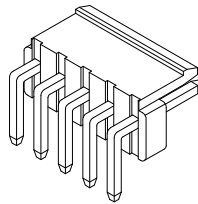


Poles	Dimensione (mm)	
	A	B
2	3.96	7.92
3	7.92	11.88
4	11.88	15.84
5	15.84	19.80
6	19.80	23.76
7	23.76	27.72
8	27.72	31.68
9	31.68	35.64
10	35.64	39.60
11	39.60	43.56
12	43.56	47.52
13	47.52	51.48
14	51.48	55.44
15	55.44	59.40
16	59.40	63.36

JVT1120WN0-XXSN-D	PA66 UL94V-2	Brass	Tin Plated	JVT1121 Housing
JVT1120WN0-XXSN-D	PA66 UL94V-0			
PART NO	Material	Material(Pin)	Finish(Pin)	Mates With Part(s)

JVT1120W

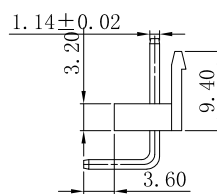
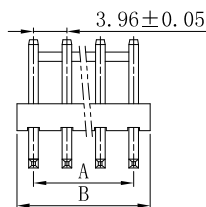
3.96mm Pitch 90°Wafer-DIP TYPE



JVT1120WXX-XXSNR-D

Logo
Series NO.
Wafer
PA66 UL94V-0
PA66 UL94V-2

DIP
R-Right Angle 90°
SN-Tin Plated
PIN NO.



Poles	Dimensione (mm)	
	A	B
2	3.96	7.92
3	7.92	11.88
4	11.88	15.84
5	15.84	19.80
6	19.80	23.76
7	23.76	27.72
8	27.72	31.68
9	31.68	35.64
10	35.64	39.60
11	39.60	43.56
12	43.56	47.52
13	47.52	51.48
14	51.48	55.44
15	55.44	59.40
16	59.40	63.36

JVT1120WN2-XXSNR-D	PA66 UL94V-2	Brass	Tin Plated	JVT1121 Housing
JVT1120WN0-XXSNR-D	PA66 UL94V-0			
PART NO	Material	Material(Pin)	Finish(Pin)	Mates With Part(s)